

MODEL

HO-63-B-44-A-E-000

ENCODER

MICRO-E-MERCURY 1510S
GRATING COUNTS/REV: 7200
INTERPOLATION: 40X

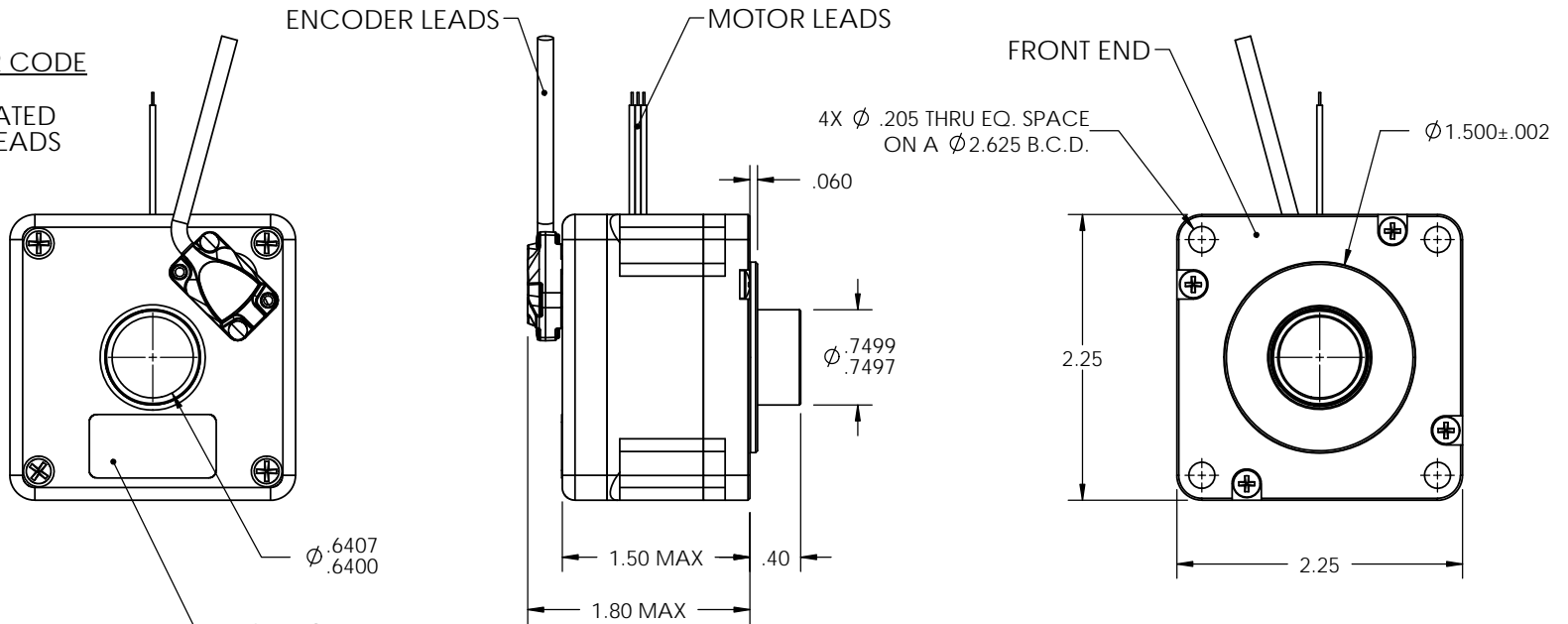
PERFORMANCE SPECIFICATIONS:

RES: 2.7 ($\pm 10\%$) OHMS
KE: 4.1 ($\pm 10\%$) V/KRPM
Kt(TRAP): 5.5 ($\pm 10\%$) oz-in/AMP DC
Kt(SINE): 4.67 ($\pm 10\%$) oz-in/AMP Pk
Lm: 0.12 ($\pm 25\%$)mH

NUMBER OF MAGNET POLES: 12
STATOR WINDING TYPE: WYE

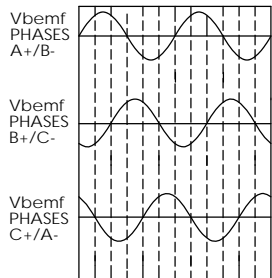
MOTOR LEAD COLOR CODE

24 AWG, TEFLON COATED
36" LENGTH, FLYING LEADS
WHT - PHASE A
BLK - PHASE B
RED - PHASE C



PRODUCT LABEL:
"APPLIMOTION INC."
"1074-1-000-01"
"SN YYMMDD-NNN"

PHASE RELATION OF BACK EMF
PHASE-TO-PHASE VOLTAGES
DURING CW ROTATION OF MOTOR
VIEWED FROM FRONT END



REV.	DCN:	DESCRIPTION OF CHANGE:	DATE:	SIGN
A	002334	INITIAL RELEASE	06-JUN-11	ADR
B	005422	ADDED LABEL	2015-NOV-10	AMS

THIS DRAWING CONTAINS PROPRIETARY INFORMATION OF APPLIMOTION AND MAY NOT BE IN WHOLE OR IN PART, DUPLICATED OR DISCLOSED OR USED FOR MANUFACTURE OF ANY PART DISCLOSED HEREIN WITHOUT THE PRIOR WRITTEN PERMISSION OF APPLIMOTION				APPLIMOTION, INC.		CAGE CODE: 3DRL5	DRAWING SYMBOLS & TOLERANCE PER ANSI Y14.5-2009
DWG NO: 1074-1-050-01		PROJECT: 1074		THIRD ANGLE PROJECTION:		UNLESS OTHERWISE SPECIFIED ALL DIMENSIONS ARE IN INCHES TOLERANCES ARE:	
TITLE: MOTOR INTERFACE DRAWING				SHEET 1 of 1		DECIMALS LINEAR ANGULAR	
DRAWN BY: ADR 6/6/2011	CHECKED BY: JPC 6/6/2011	COG ENGINEER: DML 6/6/2011	SCALE: NTS	UNITS: INCH		.X ±0.020 ±1° .XX ±0.010 ±0.2° .XXX ±0.005 ±0.01°	
CONFIDENTIAL				SURFACE FINISH: N/A			

PRINTED COPIES OF THIS DOCUMENT ARE NOT CONTROLLED