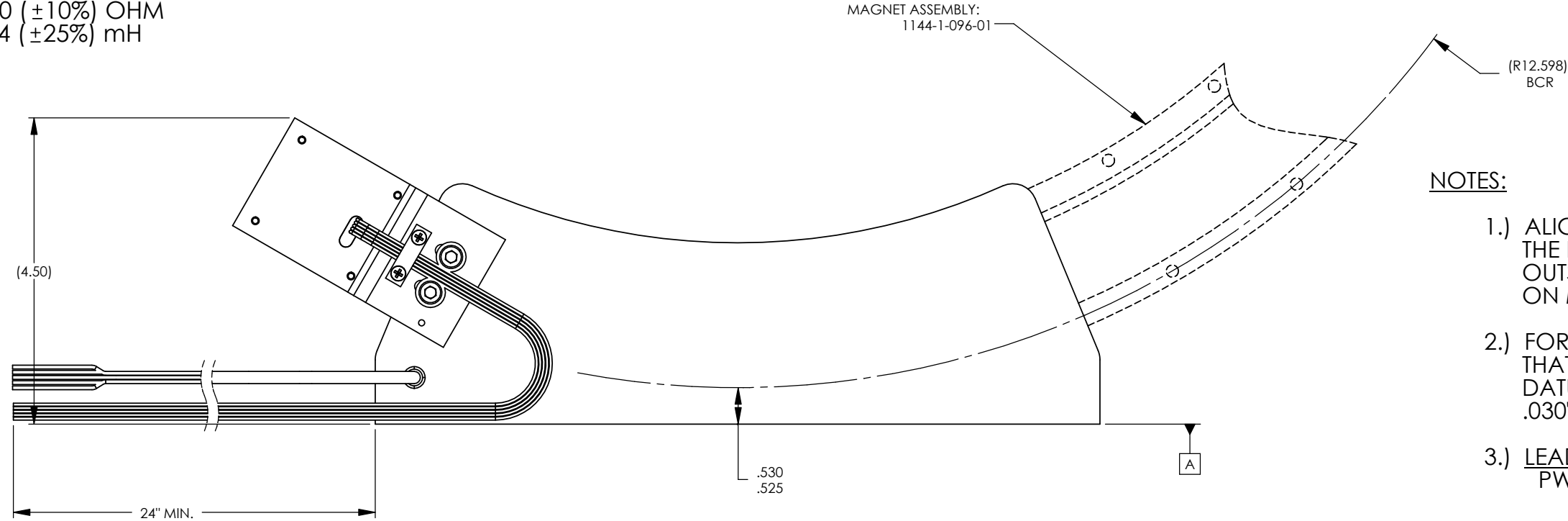


FORCER ASSY P/N:  
1144-1-090-01

PERFORMANCE WHEN MATED WITH  
MAGNET ASSEMBLY IAW 1144-1-096-01:

Kt: 900 ( $\pm 10\%$ ) OZ-IN/AMP.  
Ke: 0.67 ( $\pm 10\%$ ) Vpk/RPM  
Res: 50 ( $\pm 10\%$ ) OHM  
L : 38.4 ( $\pm 25\%$ ) mH

REV.	DCN:	DESCRIPTION OF CHANGE:	DATE:	SIGN:
P1	000248	INITIAL DESIGN	30-NOV-2005	A.L.



**NOTES:**

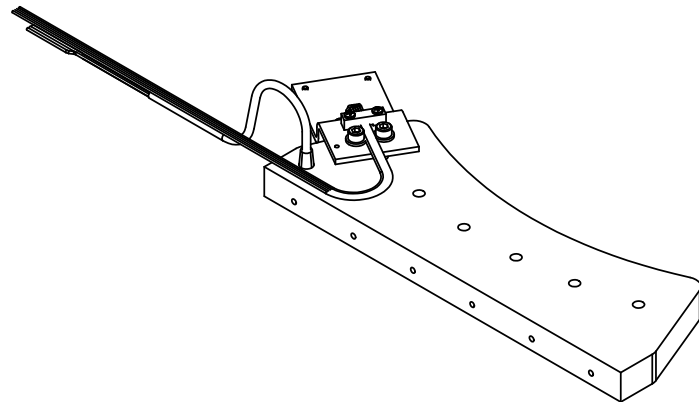
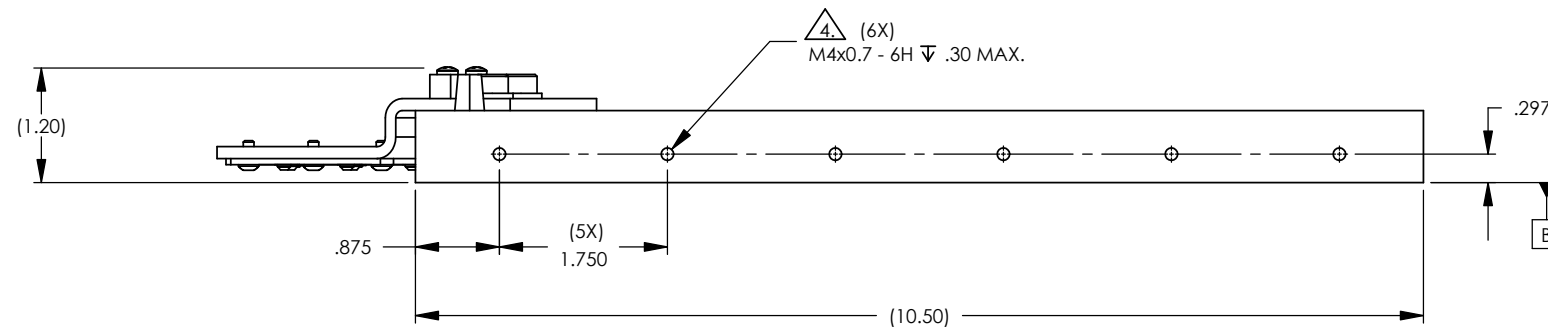
- 1.) ALIGN THE FORCER RADIALLY SO THE FORCER DATUM A IS .525"/.530" OUTSIDE OF BOLT CIRCLE ( $\phi 12.598"$ ) ON MAGNET ASSEMBLY: 1144-1-096-01.
- 2.) FORCER SHOULD BE MOUNTED SO THAT THE AIR GAP BETWEEN THE FORCER DATUM B AND THE MAGNET ASSEMBLY IS .030" NOMINALLY.

- 3.) **LEAD COLOR CODE:**  
PWR LEADS - 22 AWG, TEFLON COATED  
RED - PHASE A  
BLK - PHASE B  
WHT - PHASE C

- HALL LEADS - 28 AWG COLORED RIBBON  
GRN - +5 VOLTS  
YLW - GND  
ORG - HALL 2  
RED - HALL 1  
BRN - HALL 3

- TEMP. SWITCH - 22 AWG, TEFLON COATED  
CANTHERM P/N: F1110025ACFA06E  
NORMALLY CLOSED  
BLU - TEMP SWITCH  
BLU - TEMP SWITCH

**4.** MAX DEPTH .300", DO NOT DRILL.



THIS DRAWING CONTAINS PROPRIETARY INFORMATION OF APPLIMOTION AND MAY NOT BE IN WHOLE OR IN PART, DUPLICATED OR DISCLOSED OR USED FOR MANUFACTURE OF ANY PART DISCLOSED HEREIN WITHOUT THE PRIOR WRITTEN PERMISSION OF APPLIMOTION		<b>APPLIMOTION, INC.</b>		CAGE CODE: 3DRL5	DRAWING SYMBOLS & TOLERANCE PER ANSI Y14.5
DWG. NO. 1144-1-095-01	PROJECT: 1144	TITLE: FORCER INTERFACE		THIRD ANGLE PROJECTION:	UNLESS OTHERWISE SPECIFIED ALL DIMENSIONS ARE IN INCHES TOLERANCES ARE:
DRAWN BY: ARL	CHECKED BY:	APPROVED BY: SRP	SCALE: NIS	SHEET: 1 of 1	DECIMALS LINEAR ANGULAR
11/30/2005		12/08/2005	UNITS: INCH	SURFACE FINISH: 63	.X $\pm 0.020$ $\pm 1^\circ$ .XX $\pm 0.010$ $\pm 0.2^\circ$ .XXX $\pm 0.005$ $\pm 0.01^\circ$
<b>CONFIDENTIAL</b>					

REV.	DCN:	DESCRIPTION OF CHANGE:	DATE:	SIGN
P1	003747	INITIAL RELEASE	13-JAN-29	JPC

APPLIMOTION PART NUMBER : 1144-1-100-01

PERFORMANCE WHEN MATED WITH TRACK 1144-1-200-01  
(AIR GAP : 0.030 in)

Res: 50.0 (±10%) OHM  
 Ke: 670 (±10%) V/KRPM  
 Kt(TRAP): 900 (±10%) oz-in/AMP DC  
 Kt(SINE): 780 (±10%) oz-in/AMP Pk  
 L: 25.8 (±25%)mH

NUMBER OF MAGNET POLES: 64

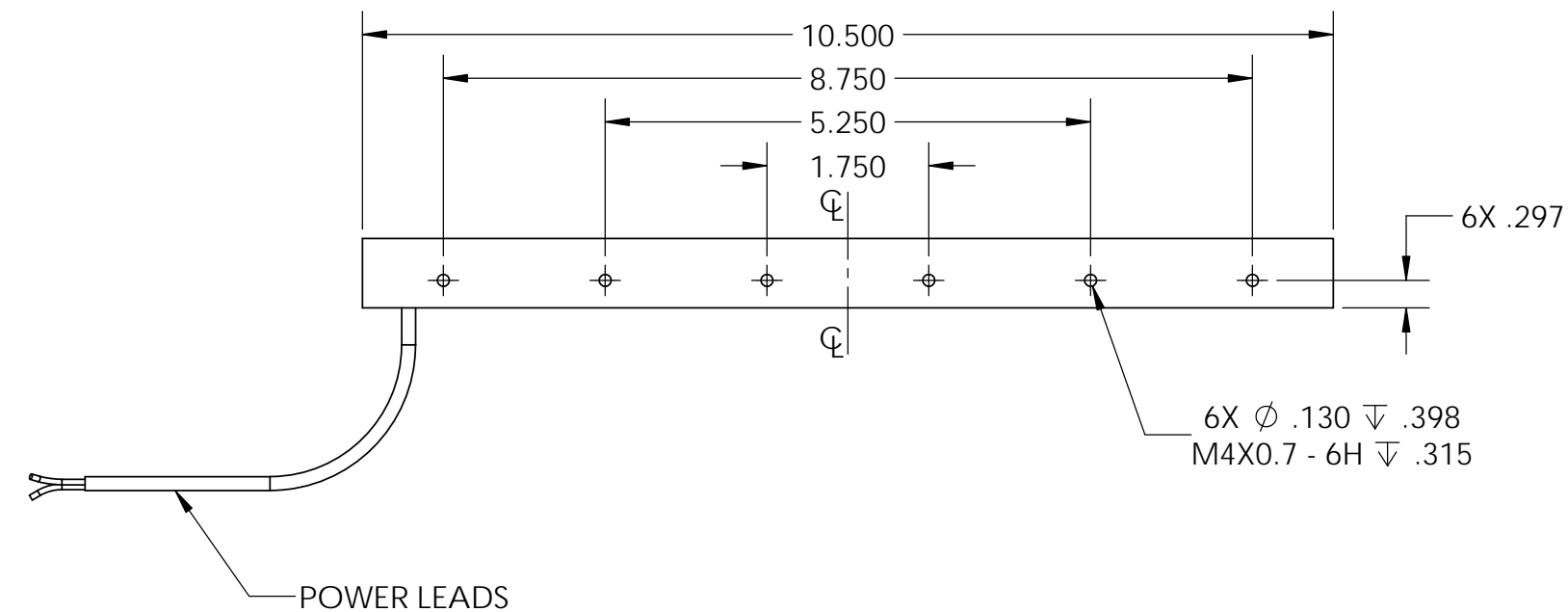
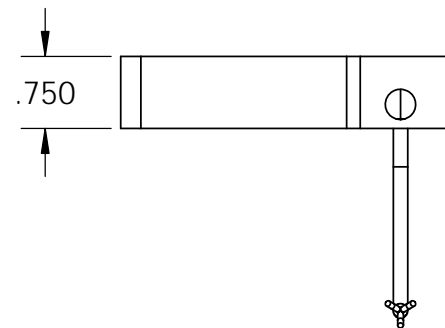
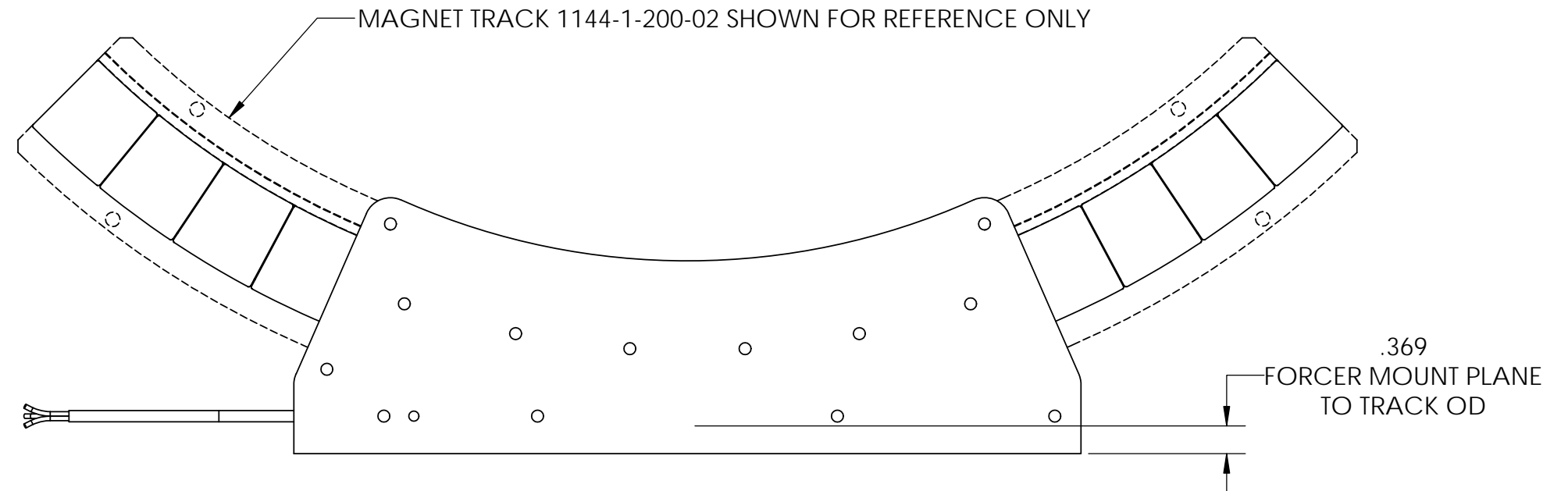
LEAD COLOR CODE

POWER LEADS

BELDEN 83334E MULTI-CONDUCTOR CABLE  
 22 AWG, TEFLON COATED LEADS WITH BRAIDED SHIELD  
 AND TEFLONG JACKET

24" MIN LENGTH

BLK - PHASE A  
 RED - PHASE B  
 WHT - PHASE C



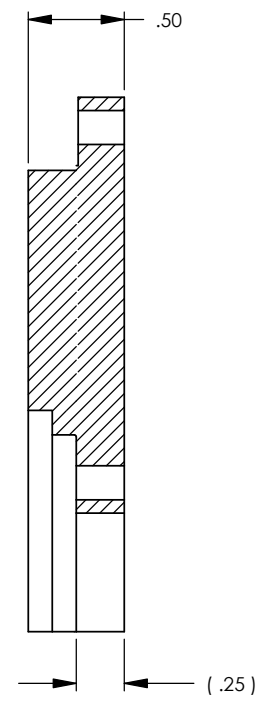
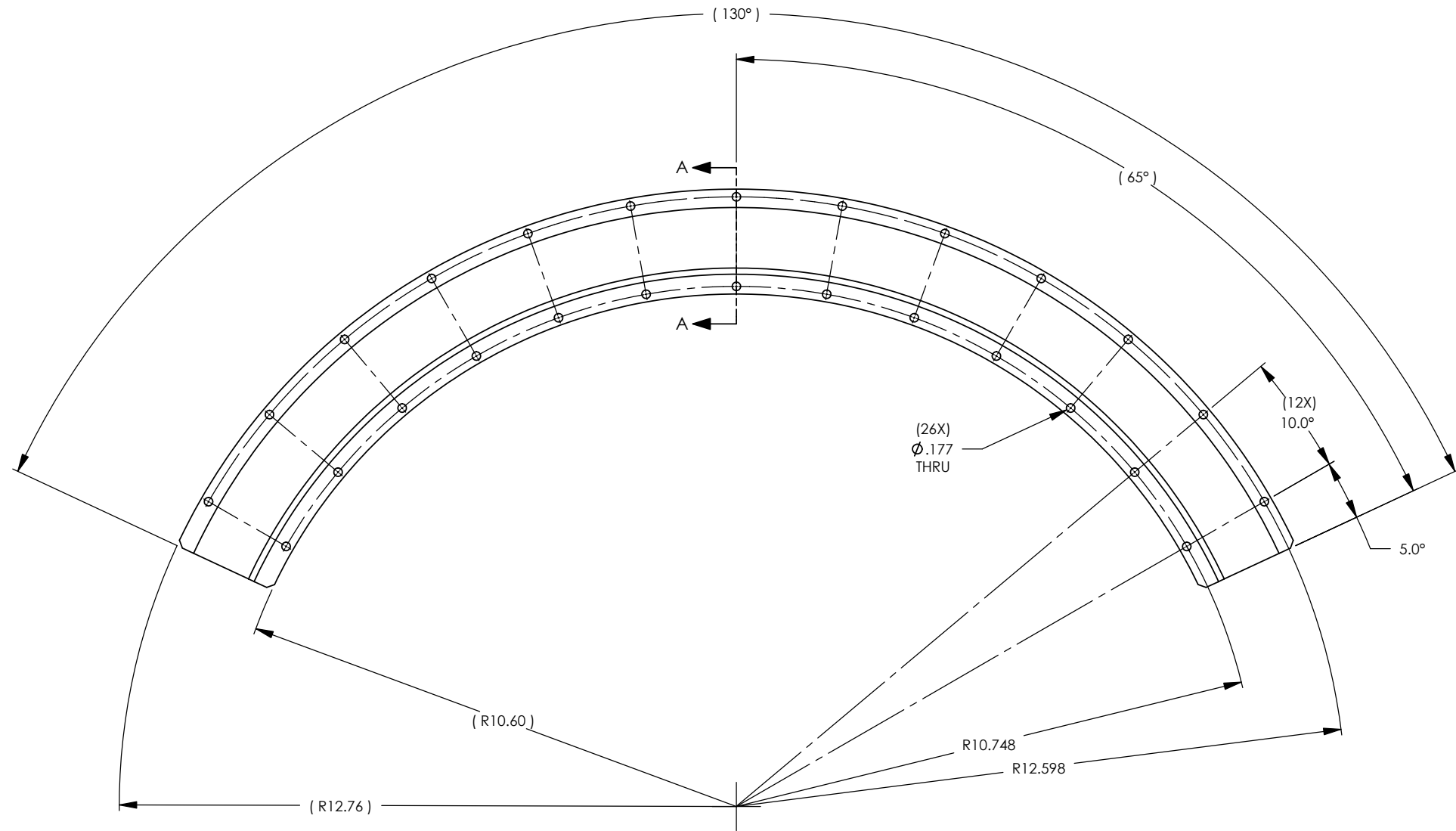
INTERFACE CONTROL DRAWING

THIS DRAWING CONTAINS PROPRIETARY INFORMATION OF APPLIMOTION, INC. AND MAY NOT BE IN WHOLE OR IN PART, DUPLICATED OR DISCLOSED OR USED FOR MANUFACTURE OF ANY PART DISCLOSED HEREIN WITHOUT THE PRIOR WRITTEN PERMISSION OF APPLIMOTION, INC.		<b>APPLIMOTION, INC.</b>		CAGE CODE: 3DRL5	DRAWING SYMBOLS & TOLERANCE PER ANSI Y14.5-2009
DWG. NO.: 1144-1-095-02	PROJECT: 1523	SHEET 1 of 1		THIRD ANGLE PROJECTION:	UNLESS OTHERWISE SPECIFIED ALL DIMENSIONS ARE IN INCHES TOLERANCES ARE:
DRAWN BY: JPC 1/29/2013	CHECKED BY: DML 1/29/2013	COG ENGINEER: DML 1/29/2013	SCALE: N/A	SURFACE FINISH: N/A	DECIMALS LINEAR ANGULAR X ±0.020 ±1° XX ±0.010 ±0.2° XXX ±0.005 ±0.01°
<b>CONFIDENTIAL</b>			UNITS: INCH		

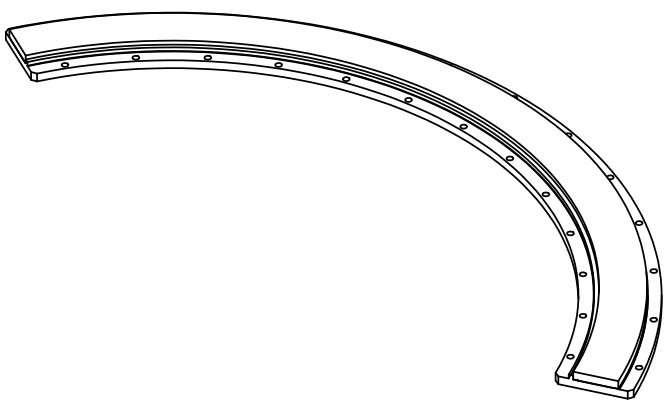
PRINTED COPIES OF THIS DOCUMENT ARE NOT CONTROLLED

MAGNET ASSEMBLY P/N:  
1144-1-200-01

REV.	DCN:	DESCRIPTION OF CHANGE:	DATE:	SIGN
P1	000248	INITIAL DESIGN	30-NOV-2005	A.L.



SECTION A-A

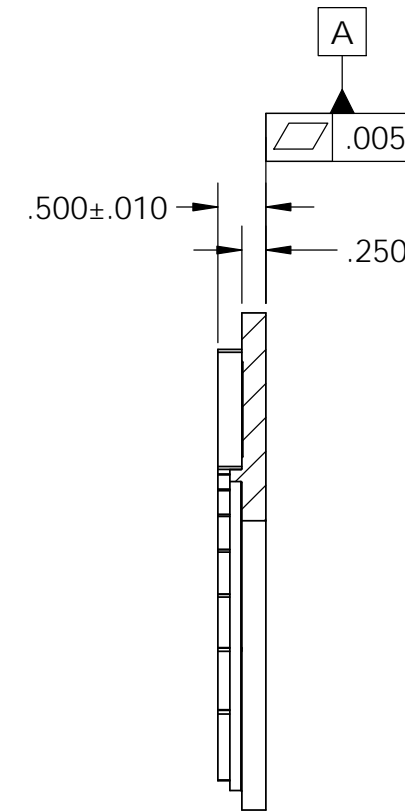
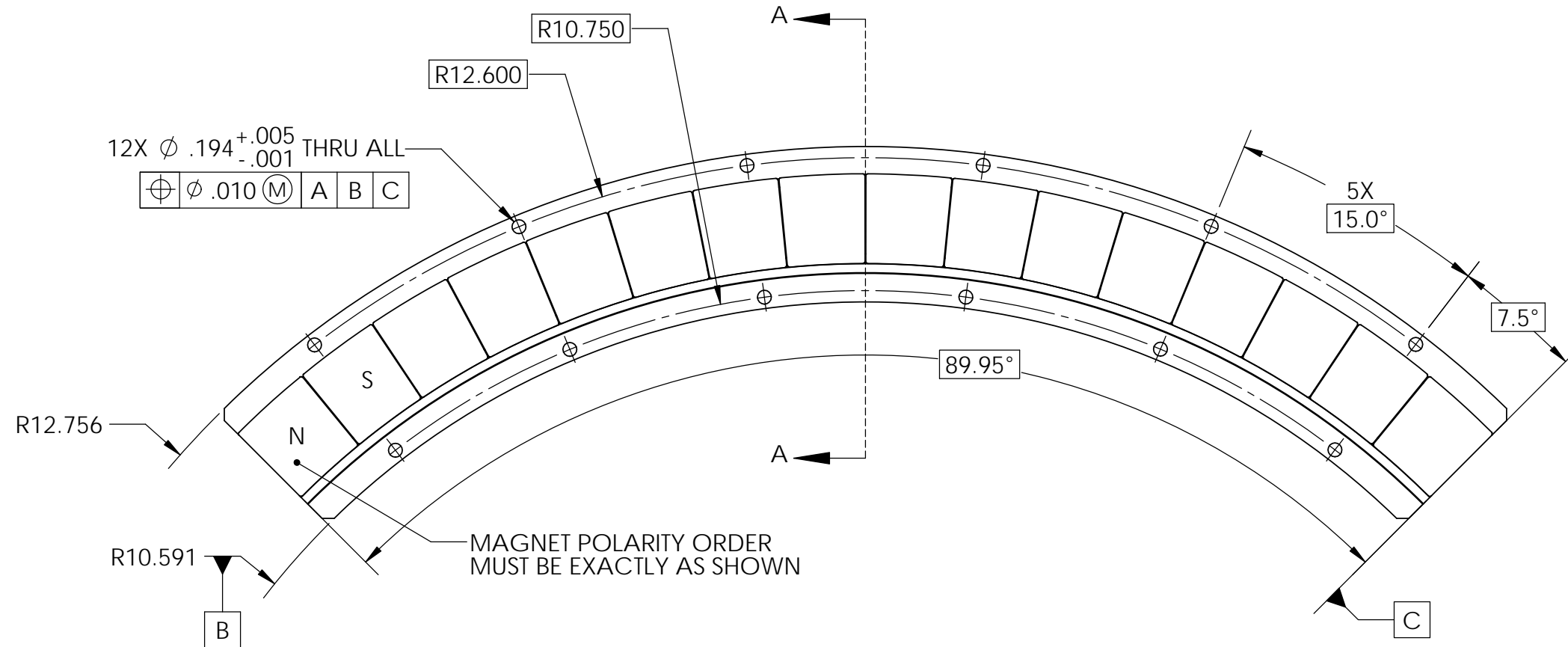


THIS DRAWING CONTAINS PROPRIETARY INFORMATION OF APPLIMOTION AND MAY NOT BE IN WHOLE OR IN PART, DUPLICATED OR DISCLOSED OR USED FOR MANUFACTURE OF ANY PART DISCLOSED HEREIN WITHOUT THE PRIOR WRITTEN PERMISSION OF APPLIMOTION

**CONFIDENTIAL**

<b>APPLIMOTION, INC.</b>		CAGE CODE: 3DRL5	DRAWING SYMBOLS & TOLERANCE PER ANSI Y14.5
DWG. NO.: 1144-1-096-01	PROJECT: 1144	THIRD ANGLE PROJECTION:	UNLESS OTHERWISE SPECIFIED ALL DIMENSIONS ARE IN INCHES TOLERANCES ARE:
TITLE: MAGNET ASSEMBLY INTERFACE		SHEET 1 of 1	DECIMALS LINEAR ANGULAR .X ±0.020 ±1° .XX ±0.010 ±0.2° .XXX ±0.005 ±0.01°
DRAWN BY: ARL 11/30/2005	CHECKED BY:	APPROVED BY: SRP 11/30/2005	SURFACE FINISH: N/A
SCALE: N1S		UNITS: INCH	

REV.	DCN:	DESCRIPTION OF CHANGE:	DATE:	SIGN
P1	003728	INITIAL RELEASE	13-JAN-18	JPC



SECTION A-A

NOTES: (UNLESS OTHERWISE SPECIFIED)

- IDENTIFY PART WITH APPLIMOTION PART NUMBER: 1144-1-200-02

THIS DRAWING CONTAINS PROPRIETARY INFORMATION OF APPLIMOTION, INC. AND MAY NOT BE IN WHOLE OR IN PART, DUPLICATED OR DISCLOSED OR USED FOR MANUFACTURE OF ANY PART DISCLOSED HEREIN WITHOUT THE PRIOR WRITTEN PERMISSION OF APPLIMOTION INC.		<b>APPLIMOTION, INC.</b>		CAGE CODE: 3DRL5	DRAWING SYMBOLS & TOLERANCE PER ANSI Y14.5-2009
DWG. NO: 1144-1-096-02	PROJECT: 1523	SHEET 1 of 1		THIRD ANGLE PROJECTION:	UNLESS OTHERWISE SPECIFIED ALL DIMENSIONS ARE IN INCHES TOLERANCES ARE:
TITLE: MAGNET TRACK ICD	DRAWN BY: JPC 1/17/2013	CHECKED BY: DML 1/17/2013	COG ENGINEER: DML 1/17/2013	SCALE: N/A	SURFACE FINISH: N/A
<b>CONFIDENTIAL</b>	UNITS: INCH	DECIMALS X ±0.020 XX ±0.010 XXX ±0.005	LINEAR ±1* ±0.2*	ANGULAR ±1* ±0.2*	

PRINTED COPIES OF THIS DOCUMENT ARE NOT CONTROLLED