

MODEL# :1486-1-000-01

MOTOR SPECS

WHEN USED WITH MAGNET TRACK ASSY 1486-1-096-01 (PITCH = 0.9")

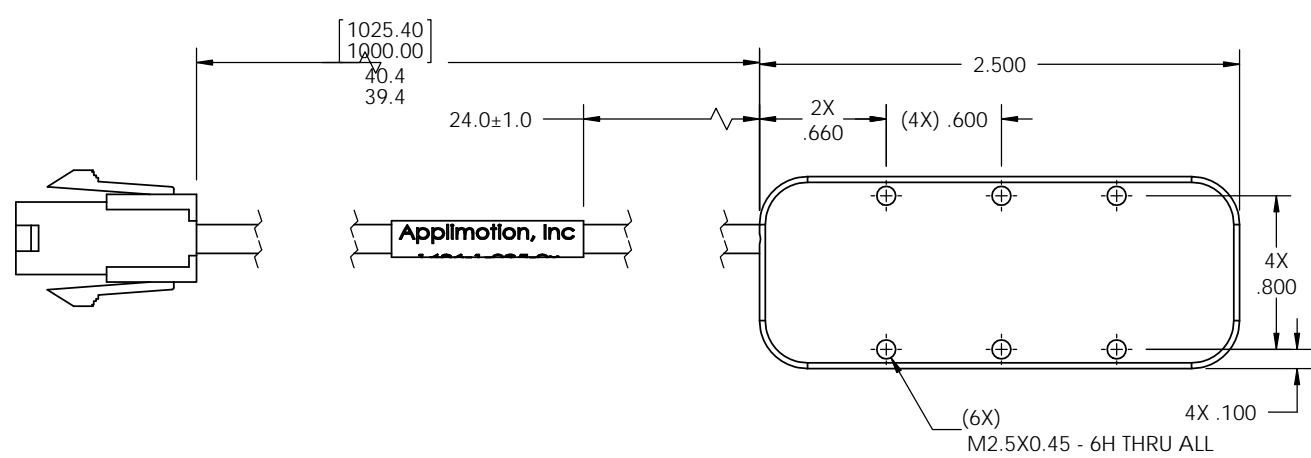
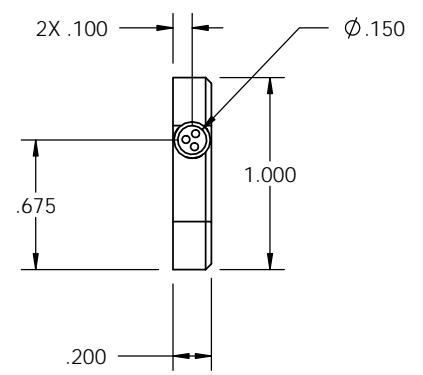
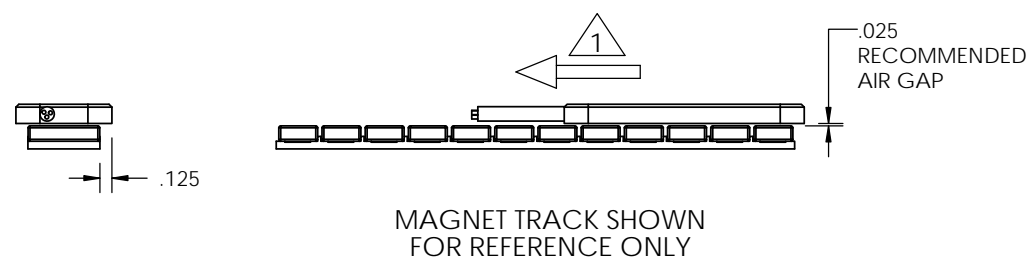
RESISTANCE: 7.5 OHMS (+/-10%)
 FORCE CONSTANT: 12.0 OZ/AMP (+/- 10%)
 INDUCTANCE: 1.0 (+/- 25%)

POWER LEADS: 22AWG TEFLON INSULATED WITH SHIELD
 P/N: BELDEN WIRE 83334E-009(REF ONLY)
 LEAD LENGTH: 1.0 METER MIN

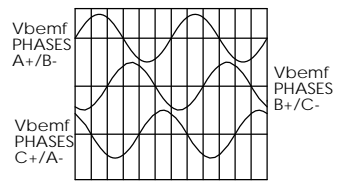
BLK - PHASE A
 RED - PHASE B
 WHT - PHASE C

REV.	DCN:	DESCRIPTION OF CHANGE:	DATE:	SIGN
A	003905	ADDED LABEL, REVISED CRIMP	07-JUN-13	GSM
B	004056	REVISED LABEL LOCATION	23-JUL-13	GSM
D	004109	REVISED LABEL LOCATION	2013-AUG-07	GSM

CONNECTOR TABLE (MOLEX 39-01-2041)			
PIN	SIGNAL	COLOR	PIN (MOLEX)
1	PHASE B	RED	00-39-00-0049
2	PHASE C	WHITE	00-39-00-0049
3	GND/SHIELD	n/a	00-39-00-0049
4	PHASE A	BLACK	00-39-00-0049



1
 PHASE RELATION OF BACK EMF
 PHASE-TO-PHASE VOLTAGES
 WHILE TRANSLATING FORCER IN
 INDICATED DIRECTION

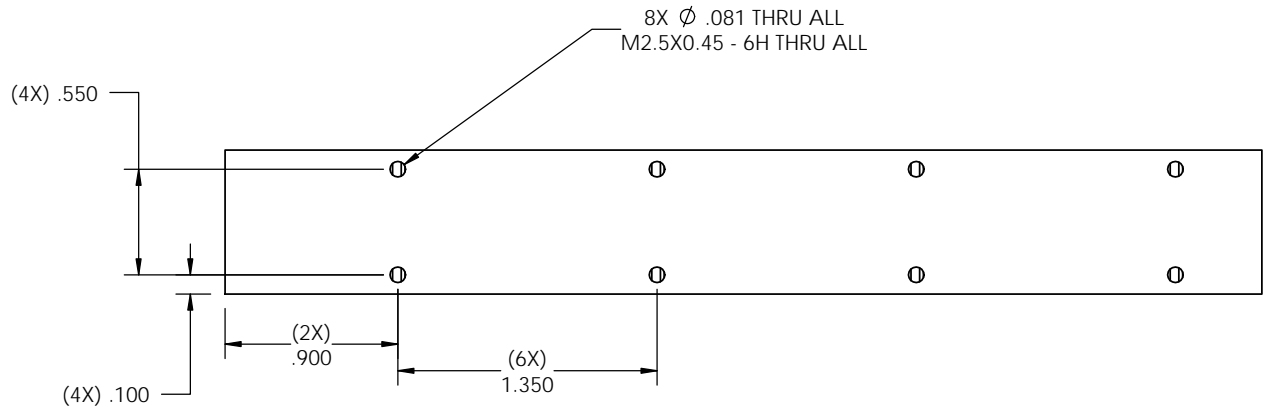
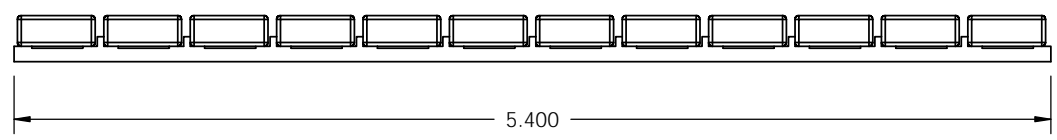
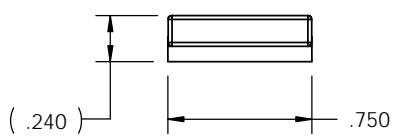
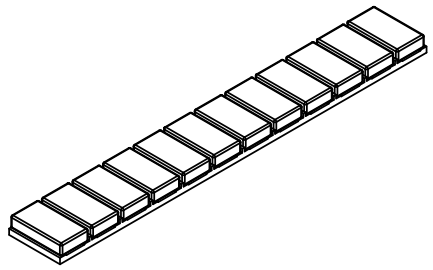


THIS DRAWING CONTAINS PROPRIETARY INFORMATION OF APPLIMOTION AND MAY NOT BE IN WHOLE OR IN PART, DUPLICATED OR DISCLOSED OR USED FOR MANUFACTURE OF ANY PART DISCLOSED HEREIN WITHOUT THE PRIOR WRITTEN PERMISSION OF APPLIMOTION				APPLIMOTION, INC.		CAGE CODE: 3DRL5	DRAWING SYMBOLS & TOLERANCE PER ANSI Y14.5-2009
DWG NO: 1486-1-095-01		PROJECT: 1486		THIRD ANGLE PROJECTION:		UNLESS OTHERWISE SPECIFIED ALL DIMENSIONS ARE IN INCHES TOLERANCES ARE:	
TITLE: INTERFACE DRAWING				SHEET 1 of 1		DECIMALS LINEAR ANGULAR .X ±0.020 ±1° .XX ±0.010 ±0.2° .XXX ±0.005 ±0.01°	
DRAWN BY: GSM 4/2/2012	CHECKED BY: DML 4/2/2012	COG ENGINEER: DML 4/2/2012	SCALE: NTS	UNITS: INCHES		SURFACE FINISH: N/A	

CONFIDENTIAL

PRINTED COPIES OF THIS DOCUMENT ARE NOT CONTROLLED

REV.	DCN:	DESCRIPTION OF CHANGE:	DATE:	SIGN
A	003178	INITIAL RELEASE	08-MAY-12	GSM
B	003705	REMOVE "MAX" FROM .750" DIM	21-DEC-12	DML



THIS DRAWING CONTAINS PROPRIETARY INFORMATION OF APPLIMOTION AND MAY NOT BE IN WHOLE OR IN PART, DUPLICATED OR DISCLOSED OR USED FOR MANUFACTURE OF ANY PART DISCLOSED HEREIN WITHOUT THE PRIOR WRITTEN PERMISSION OF APPLIMOTION

CONFIDENTIAL

APPLIMOTION, INC.			CAGE CODE: 3DRL5	DRAWING SYMBOLS & TOLERANCE PER ANSI Y14.5 UNLESS OTHERWISE SPECIFIED ALL DIMENSIONS ARE IN INCHES TOLERANCES ARE:
DWG NO: 1486-1-096-01	PROJECT: 1486		THIRD ANGLE PROJECTION: 	
TITLE: MAGNET TRACK INTERFACE			SHEET 1 of 1	DECIMALS LINEAR ANGULAR .X ±0.02 ±.5° .XX ±0.01 ±0.2° .XXX ±0.005 ±0.01°
DRAWN BY: GSM 4/25/12	CHECKED BY: DML 4/25/12	COG ENGINEER DML 4/25/12	SCALE : NTS	
UNITS : INCHES			SURFACE FINISH : N/A	

PRINTED COPIES OF THIS DOCUMENT ARE NOT CONTROLLED