

6

5

4

3

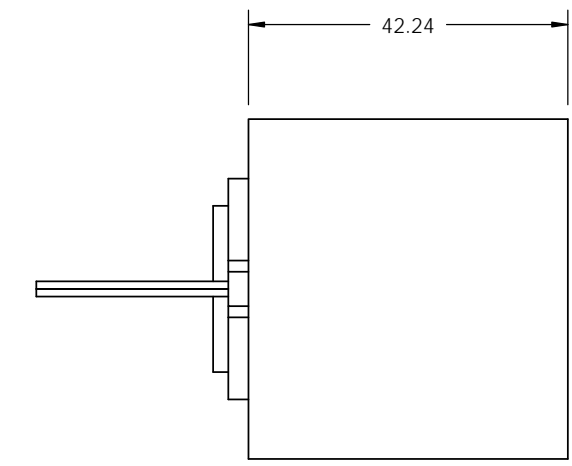
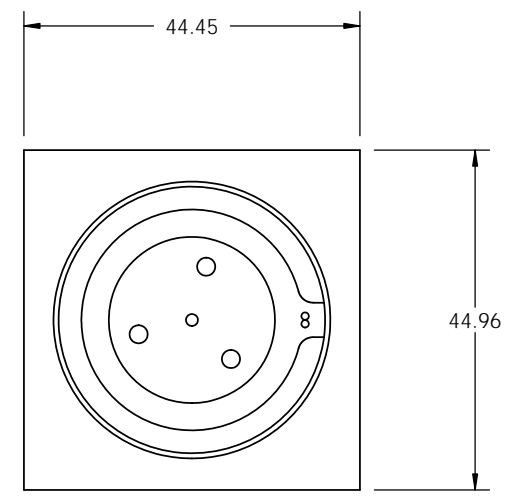
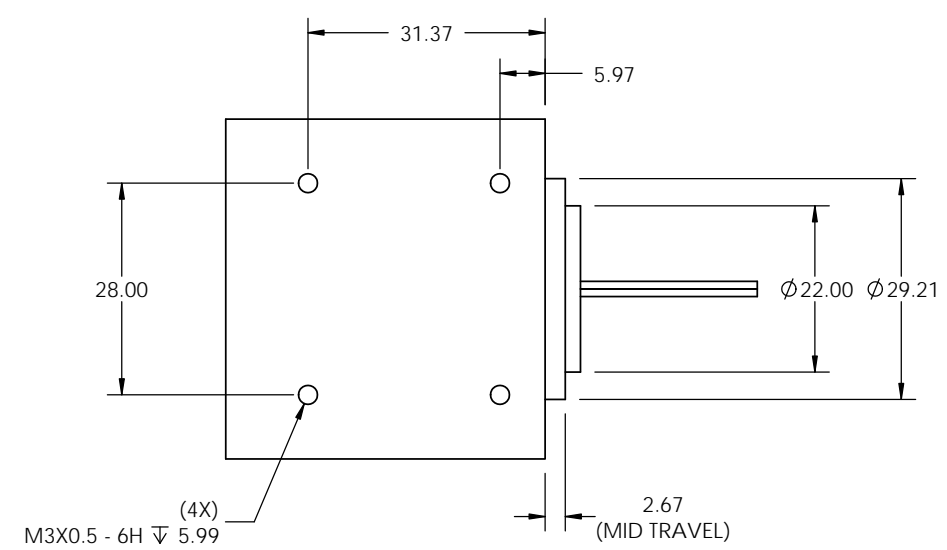
2

1

REV.	DCN:	DESCRIPTION OF CHANGE:	DATE:	SIGN
A	00xxxx	INITIAL RELEASE		GSM

DRAFT

- 1. APPLIMOTION PART NUMBER: 1716-2-000-10
- 2. MOTOR PERFORMANCE
 Res: 2.7 (±10%) OHM
 Kf: 10.23 (±10%) N/Amp
 Fc: 16.0 (±10%) N
 L: TBD (±25%)mH
 MAX ALLOWABLE TEMP: 155°C
 TRAVEL: ±2.5mm
- 3. MOTOR POWER LEADS 24 AWG TEFLON COATED
 24" FROM MOTOR HOUSING
 PHASE COLOR:
 RED V+
 BLK V-



THIS DRAWING CONTAINS PROPRIETARY INFORMATION OF APPLIMOTION, INC. AND MAY NOT BE IN WHOLE OR IN PART, DUPLICATED OR DISCLOSED OR USED FOR MANUFACTURE OF ANY PART DISCLOSED HEREIN WITHOUT THE PRIOR WRITTEN PERMISSION OF APPLIMOTION INC.		APPLIMOTION, INC.		CAGE CODE: 3DRL5	DRAWING SYMBOLS & TOLERANCE PER ANSI Y14.5
DWG. NO: 1716-2-050-10	PROJECT: 1716	TITLE: MOTOR INTERFACE		THIRD ANGLE PROJECTION:	UNLESS OTHERWISE SPECIFIED ALL DIMENSIONS ARE IN MILLIMETERS TOLERANCES ARE:
DRAWN BY: GSM 6/6/2016	CHECKED BY: DML 6/6/2016	COG ENGINEER: GSM 6/6/2016	SCALE: NTS	SHEET: 1 of 1	DECIMALS LINEAR ANGULAR X ±0.20 ±1° XX ±0.10 ±0.2° XXX ±0.05 ±0.01°
CONFIDENTIAL			SEE NOTES		

PRINTED COPIES OF THIS DOCUMENT ARE NOT CONTROLLED