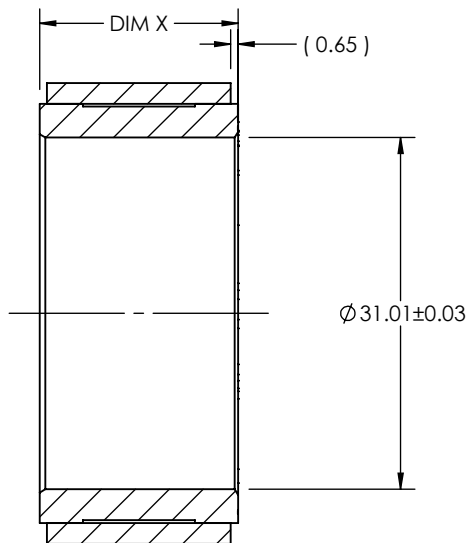
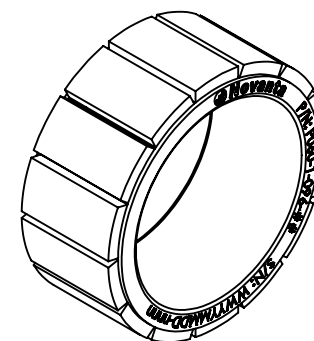
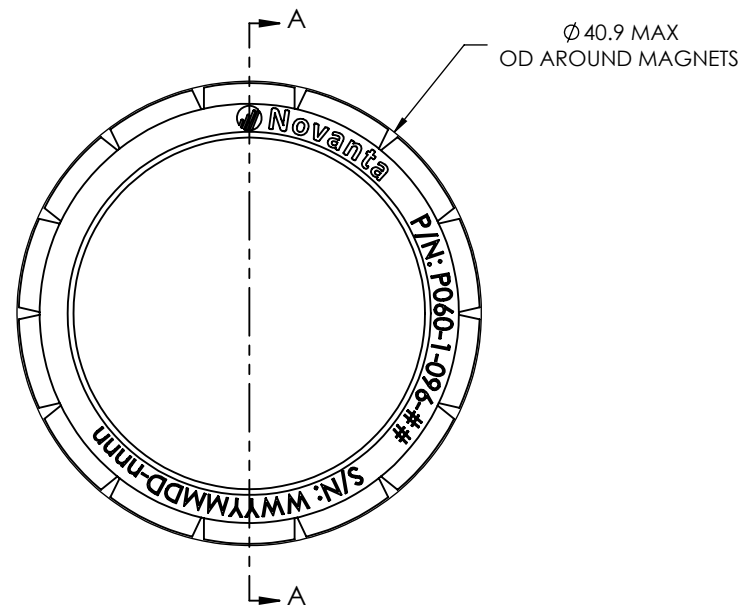


TABULATION BLOCK	
PART NUMBER	DIM X
P060-1-096-01	17.5 ± .05
P060-1-096-02	30.0 ± .05
P060-1-096-03	55.0 ± .05



SECTION A-A



NOTES: (UNLESS OTHERWISE SPECIFIED):

1. ROTOR MOUNTING REQUIREMENTS, REFER TO P060-1-051-01 DOCUMENT
2. ESTIMATED MASS AND OTHER SPECIFICATIONS REFER TO P060-1-052-01 DOCUMENT.
3. HIGHLY MAGNETIZED ASSEMBLY, HANDLE WITH CARE TO AVOID DAMAGE OR INJURY.
4. SHALL BE ROHS AND REACH COMPLIANT TO LATEST VERSION OF REGULATORY SPECIFICATION
5. MATERIAL AND SURFACE TREATMENT CERTIFICATIONS SHALL BE PROVIDED WITH EACH LOT

B	007805	SEE DCN	2021-DEC-20	RMH
A	007609	CHANGE BACKIRON TO MAGNET DIMENSION TO A REFERENCE DIMENSION	2021-APR-20	AFT
1	007587	INITIAL RELEASE	2021-FEB-05	ARL
REV	DCN	DESCRIPTION OF CHANGE	DATE	SIGN

CONFIDENTIAL

THIS DRAWING CONTAINS PROPRIETARY INFORMATION OF CELERA MOTION AND MAY NOT BE IN WHOLE OR IN PART, DUPLICATED OR DISCLOSED OR USED FOR MANUFACTURE OF ANY PART. DISCLOSED HEREIN WITHOUT THE PRIOR WRITTEN PERMISSION OF CELERA MOTION.



DRAWN IAW ASME Y14.5-2009

X. ± 1.25 X.XX ± 0.125
X.X ± 0.25 X.XXX ± 0.0125
ANGULAR: X ± 1°

UNITS
MM

TITLE: **ROTOR INTERFACE DRAWING**

MATERIAL: **N/A**

DRWN: **A. LARKEY** 2/5/2021

DRAWING NUMBER:

REV

TREATMENT: **N/A**

CHKD: **S. DAWSON** 2/5/2021

P060-1-096-XX

B

SURFACE FINISH: **N/A**

APPVD: **S. DAWSON** 2/5/2021

SCALE: **1:1**

SIZE: **A** SHEET **1** of **1**