

MODEL: (THIS DRAWING APPLIES FOR THE FOLLOWING MODEL NUMBERS)

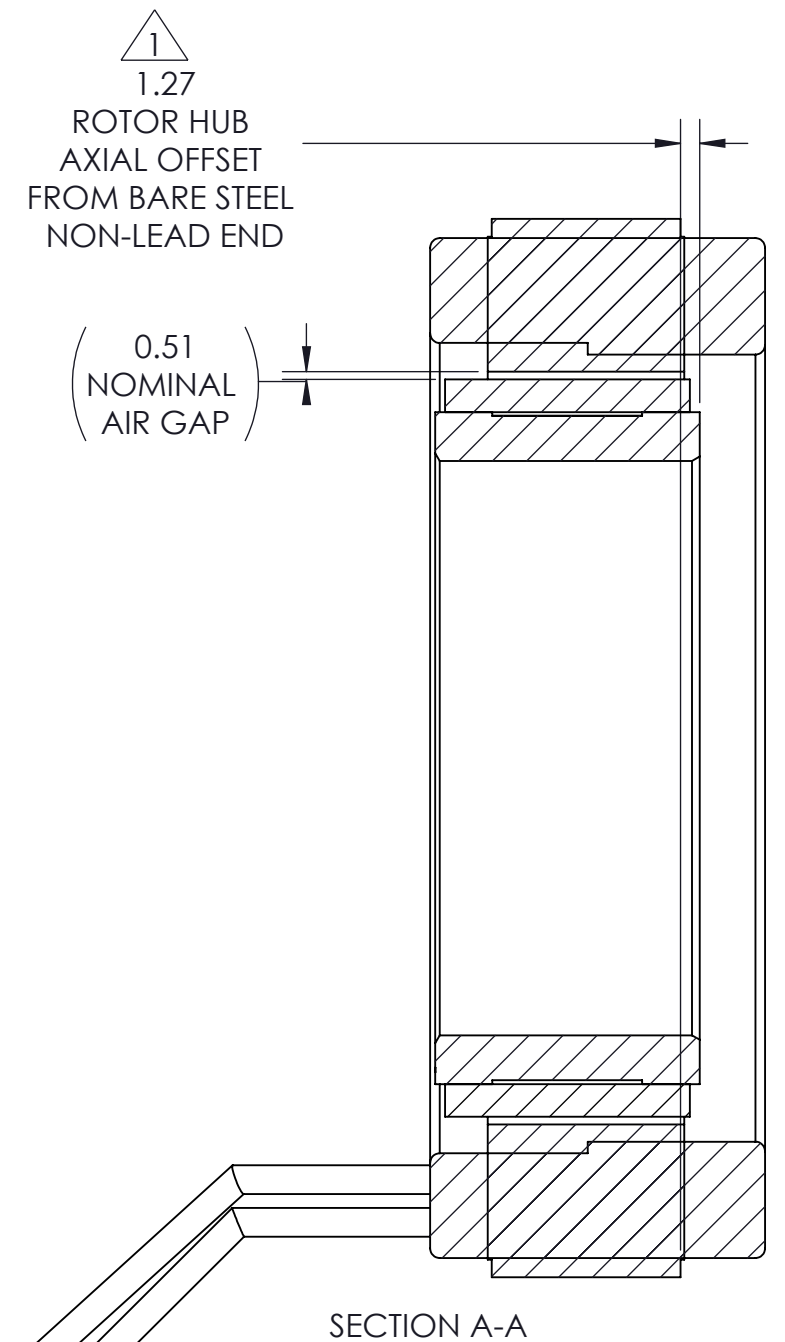
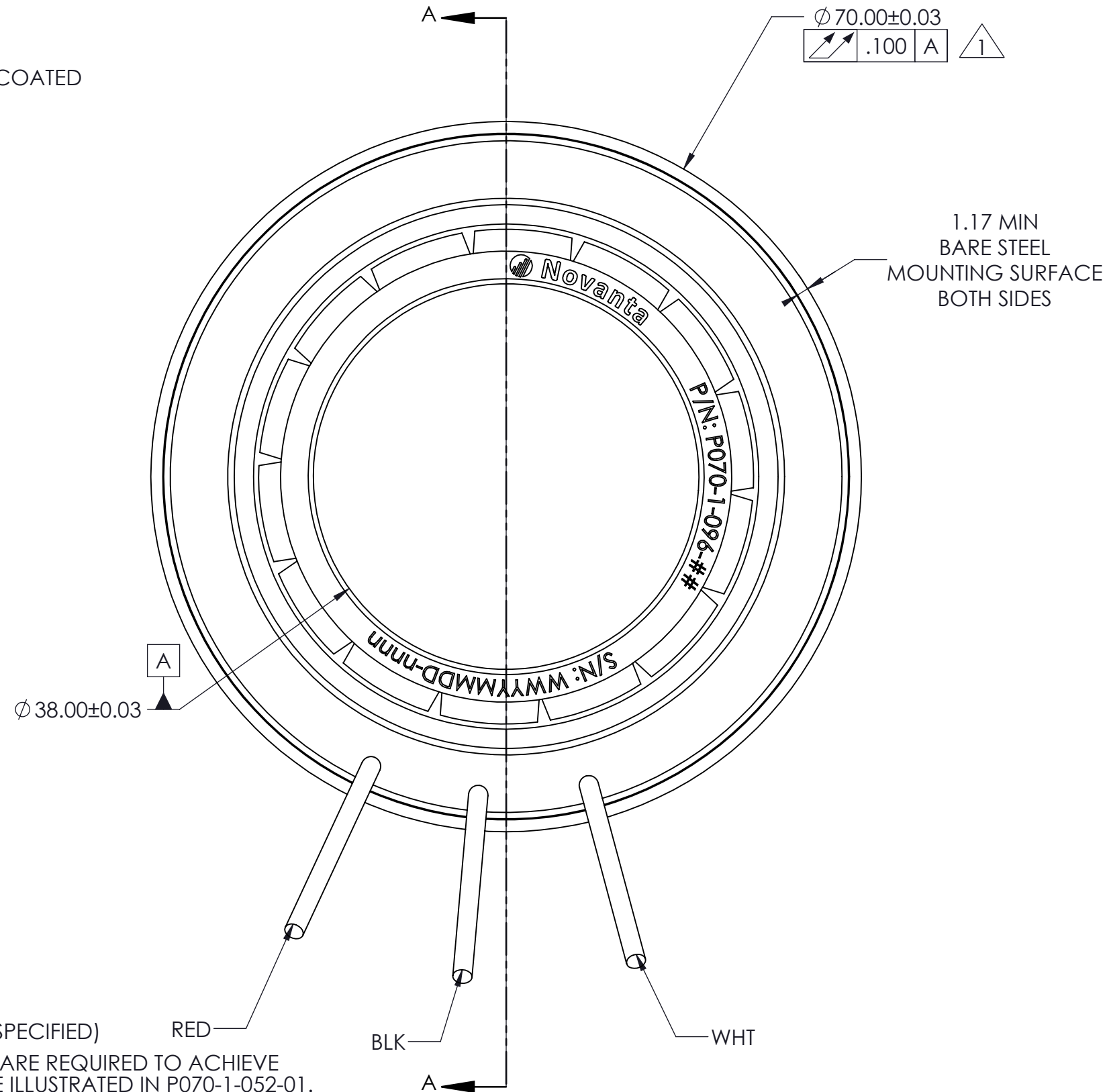
OPN-070XXX-X000 (SHEET 1)

OPH-070XXX-X000 (SHEET 2)

**POWER LEADS:**

16 AWG, M22759/11 TEFLON COATED  
762 mm MIN LENGTH

BLK - PHASE A  
RED - PHASE B  
WHT - PHASE C



**NOTES: (UNLESS OTHERWISE SPECIFIED)**

1. SPECIFIED DIMENSIONS ARE REQUIRED TO ACHIEVE MOTOR PERFORMANCE ILLUSTRATED IN P070-1-052-01.
2. SHALL BE ROHS AND REACH COMPLIANT TO LATEST VERSION OF REGULATORY SPECIFICATIONS.
3. MATERIAL AND SURFACE TREATMENT CERTIFICATIONS SHALL BE PROVIDED WITH EACH LOT.

REV	DCN	DESCRIPTION OF CHANGE	DATE	SIGN
B	007805	SEE DCN	2021-DEC-20	RMH
A	007630	INITIAL RELEASE	2021-JUN-21	AFT

**CONFIDENTIAL**  
THIS DRAWING CONTAINS PROPRIETARY INFORMATION OF CELERA MOTION AND MAY NOT BE IN WHOLE OR IN PART, DUPLICATED OR DISCLOSED OR USED FOR MANUFACTURE OF ANY PART DISCLOSED HEREIN WITHOUT THE PRIOR WRITTEN PERMISSION OF CELERA MOTION.

**Celera** A Novanta Company  
MOTION Company

DRWN: A.TEAO	5/19/21	SCALE: 2:1	SIZE: B	SHEET 1 of 2
CHKD: R.HORN	5/26/21	TITLE: MOTOR KIT MOUNTING INTERFACE		
APPVD: R.HORN		DRAWING NUMBER: P070-1-051-01		

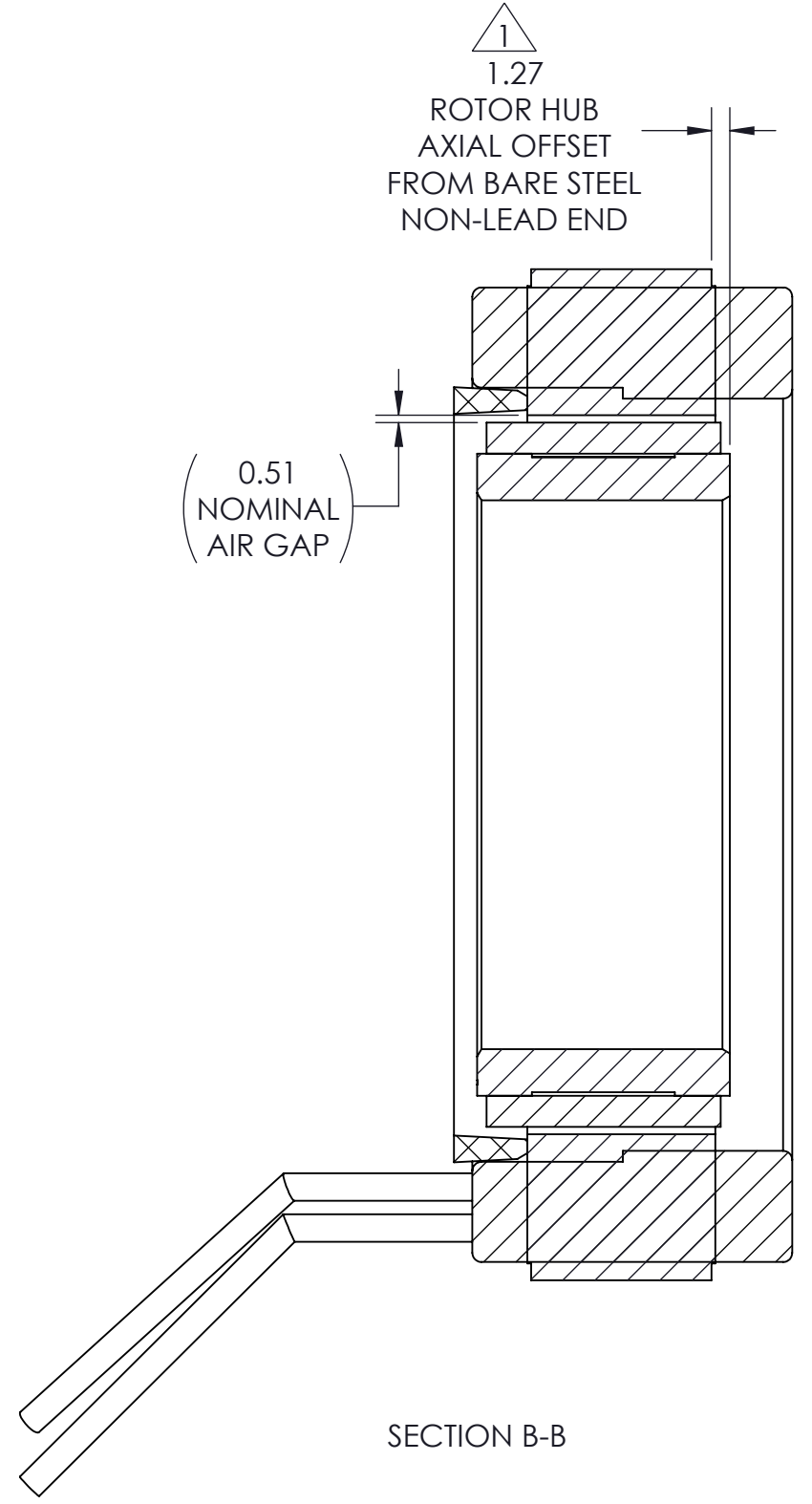
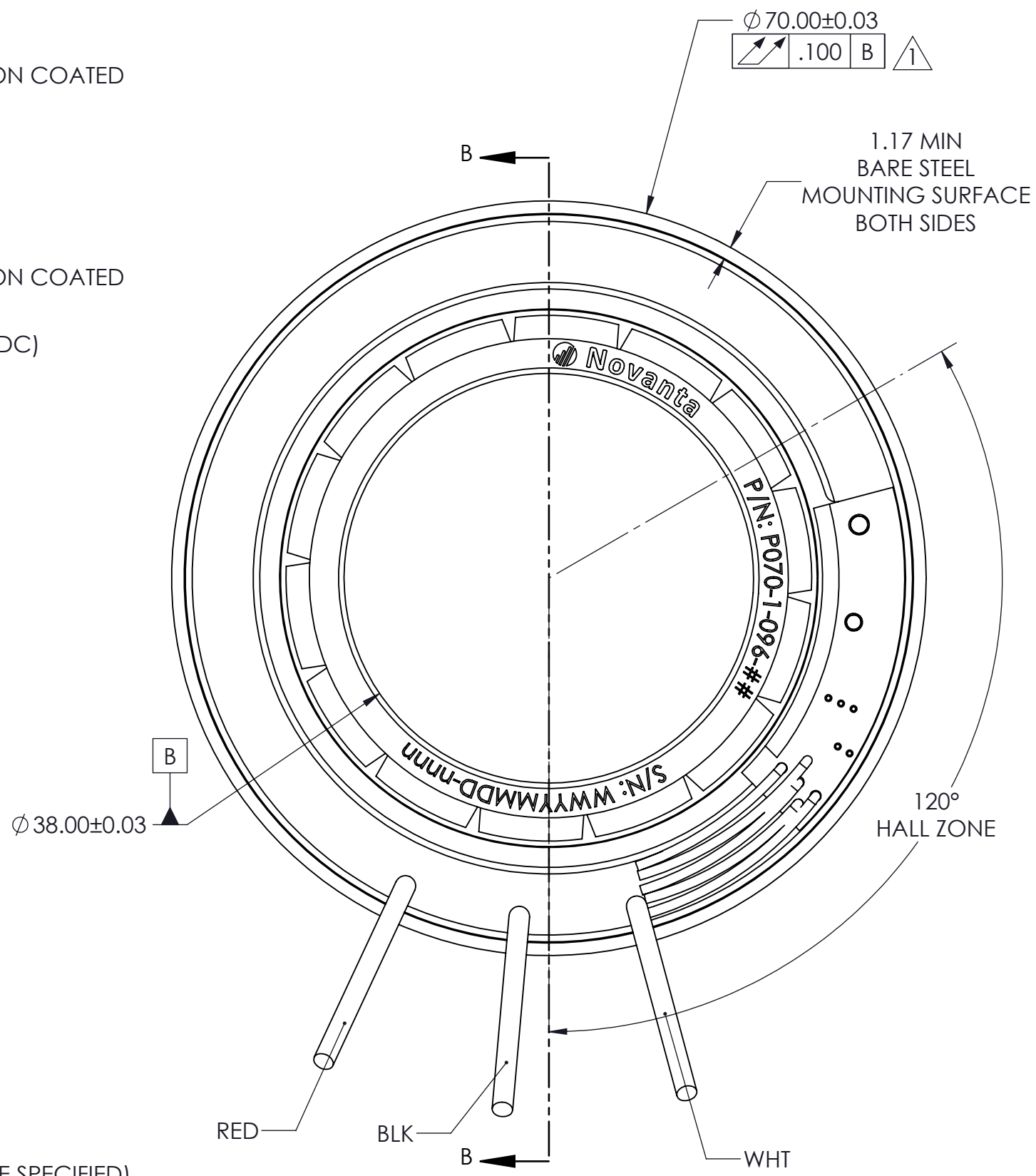
PRINTED COPIES OF THIS DOCUMENT ARE NOT CONTROLLED

POWER LEADS:  
 16 AWG, M22759/11 TEFLON COATED  
 762 MM MIN LENGTH

BLK - PHASE A  
 RED - PHASE B  
 WHT - PHASE C

HALL LEADS:  
 28 AWG, M22759/11 TEFLON COATED  
 762 MM MIN LENGTH

RED - POWER (3-27 VDC)  
 BLK - GROUND  
 BRN - HALL 1  
 ORG - HALL 2  
 YEL - HALL 3



SECTION B-B

NOTES: (UNLESS OTHERWISE SPECIFIED)

1. SPECIFIED DIMENSIONS ARE REQUIRED TO ACHIEVE MOTOR PERFORMANCE ILLUSTRATED IN P070-1-052-01.
2. SHALL BE ROHS AND REACH COMPLIANT TO LATEST VERSION OF REGULATORY SPECIFICATIONS.
3. MATERIAL AND SURFACE TREATMENT CERTIFICATIONS SHALL BE PROVIDED WITH EACH LOT.
4. ESD SENSITIVE DEVICE, HANDLE ACCORDINGLY

<b>CONFIDENTIAL</b> <small>THIS DRAWING CONTAINS PROPRIETARY INFORMATION OF CELERA MOTION AND MAY NOT BE IN WHOLE OR IN PART, DUPLICATED OR DISCLOSED OR USED FOR MANUFACTURE OF ANY PART. DISCLOSED HEREIN WITHOUT THE PRIOR WRITTEN PERMISSION OF CELERA MOTION.</small>			A Novanta Company
	DRAWING NUMBER:		REV
	<b>P070-1-051-01</b>		<b>B</b>
	SCALE: 2:1 <small>DO NOT SCALE DRAWING</small>	SIZE: B	SHEET 2 of 2

PRINTED COPIES OF THIS DOCUMENT ARE NOT CONTROLLED