

MODEL: (THIS DRAWING APPLIES FOR THE FOLLOWING MODEL NUMBERS)

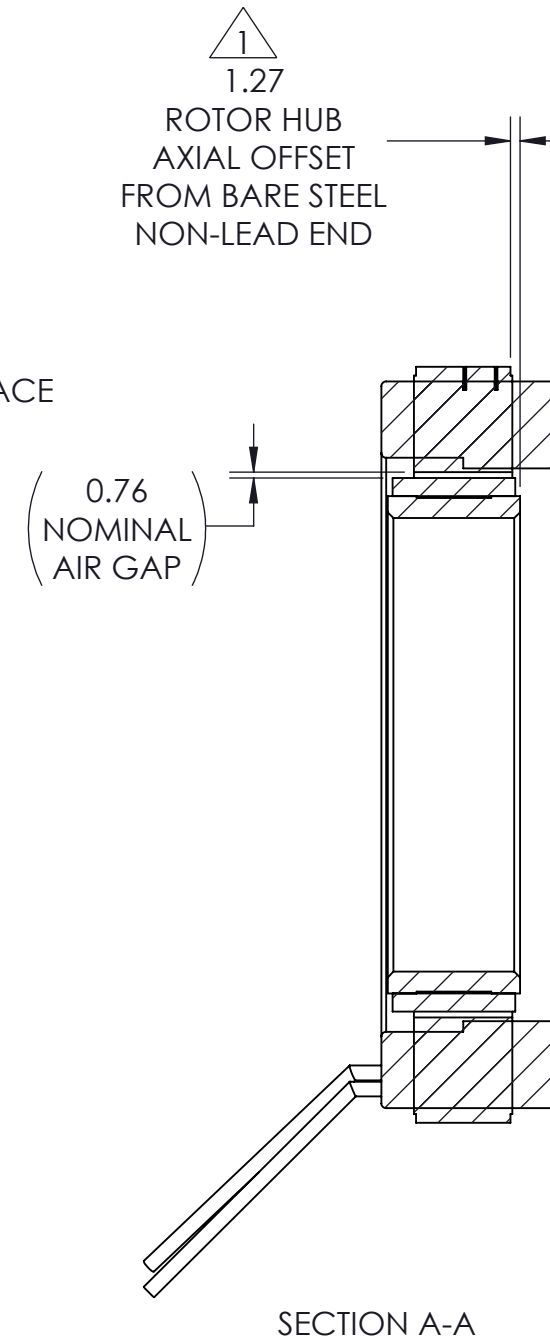
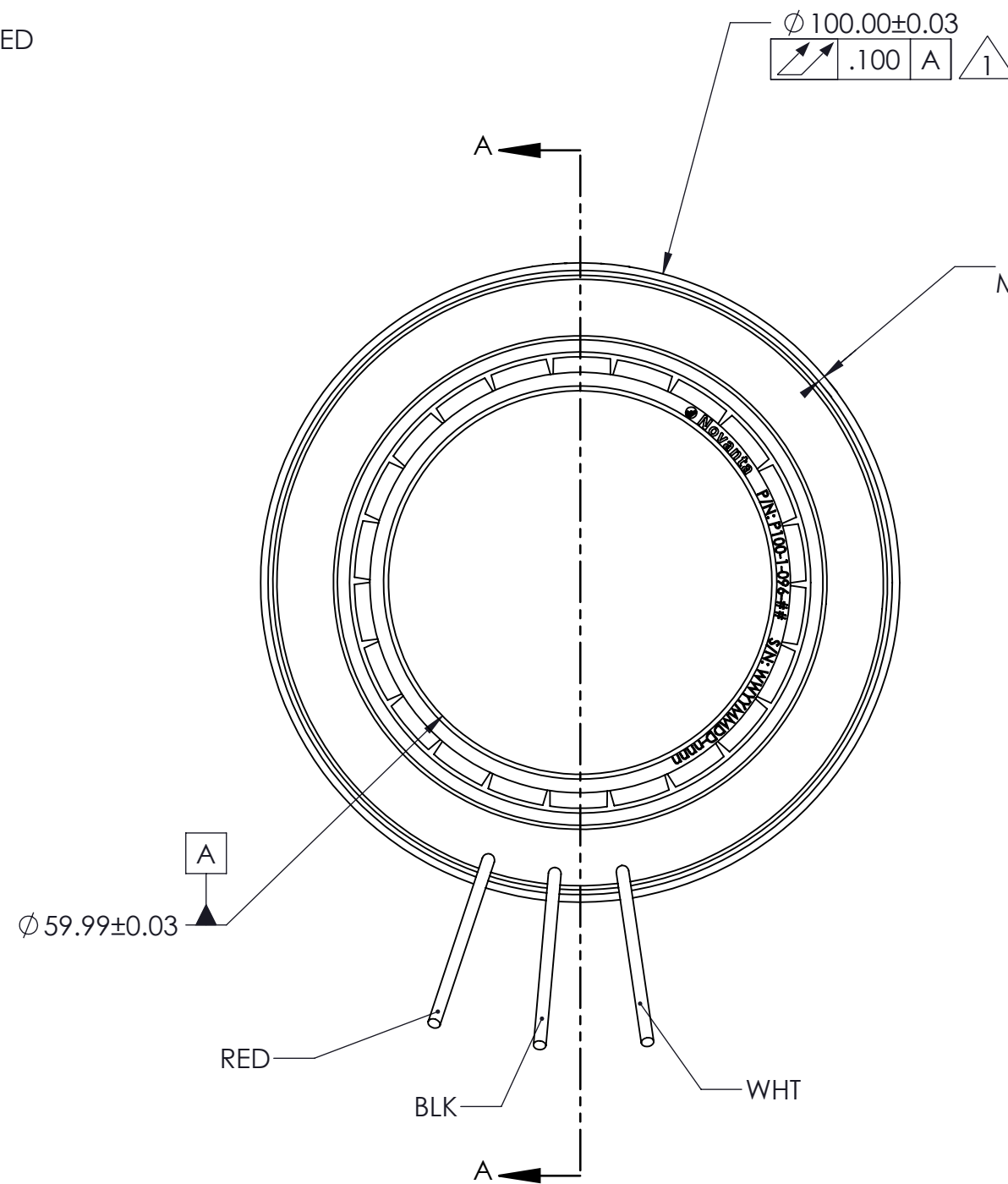
OPN-100XXX-X000 (SHEET 1)

OPH-100XXX-X000 (SHEET 2)

POWER LEADS:

16 AWG, M22759/11 TEFLON COATED
762 mm MIN LENGTH

BLK - PHASE A
RED - PHASE B
WHT - PHASE C



1.17 MIN
BARE STEEL
MOUNTING SURFACE
BOTH SIDES

0.76
(NOMINAL
AIR GAP)

1.27
ROTOR HUB
AXIAL OFFSET
FROM BARE STEEL
NON-LEAD END

SECTION A-A

NOTES: (UNLESS OTHERWISE SPECIFIED)

1. SPECIFIED DIMENSIONS ARE REQUIRED TO ACHIEVE MOTOR PERFORMANCE ILLUSTRATED IN P100-1-052-01.
2. SHALL BE ROHS AND REACH COMPLIANT TO LATEST VERSION OF REGULATORY SPECIFICATION.
3. MATERIAL AND SURFACE TREATMENT CERTIFICATIONS SHALL BE PROVIDED WITH EACH LOT.

REV	DCN	DESCRIPTION OF CHANGE	DATE	SIGN
1	007805	INITIAL RELEASE	2021-DEC-20	RMH

CONFIDENTIAL
THIS DRAWING CONTAINS PROPRIETARY INFORMATION OF CELERA MOTION AND MAY NOT BE IN WHOLE OR IN PART, DUPLICATED OR DISCLOSED OR USED FOR MANUFACTURE OF ANY PART DISCLOSED HEREIN WITHOUT THE PRIOR WRITTEN PERMISSION OF CELERA MOTION.

Celera A Novanta Company
MOTION Company

DRWN: RM HORN	12/7/2021	DRAWING NUMBER:	REV
CHKD: S DAWSON	12/7/2021	P100-1-051-01	1
APPVD: S DAWSON	12/7/2021	SCALE: 1:1	SIZE: B SHEET 1 of 2

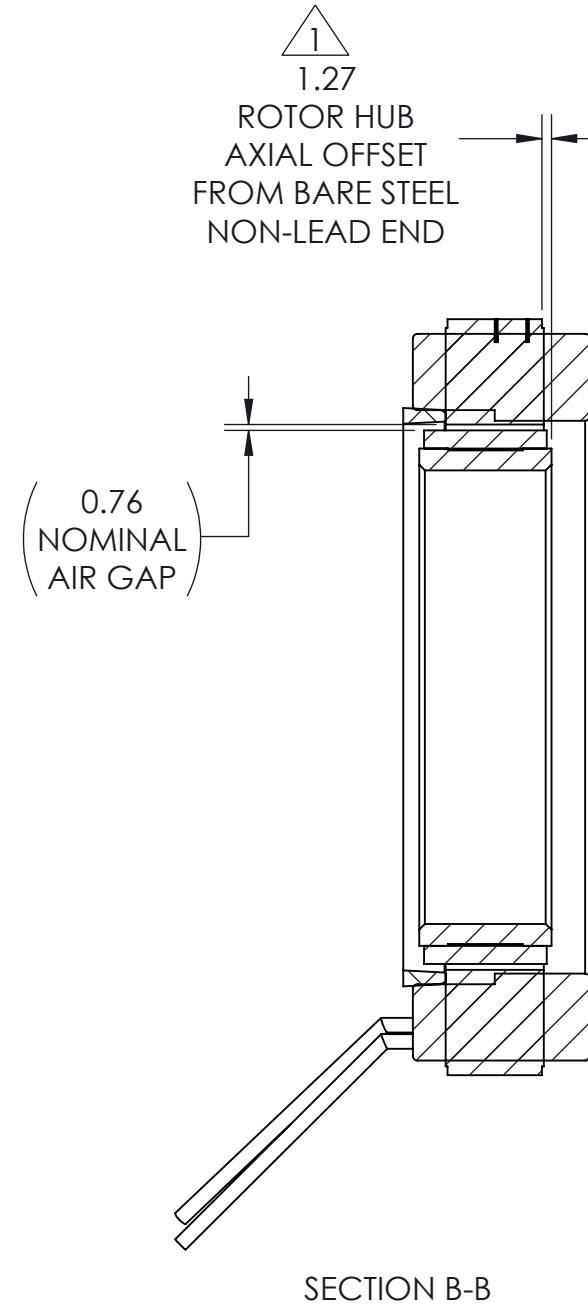
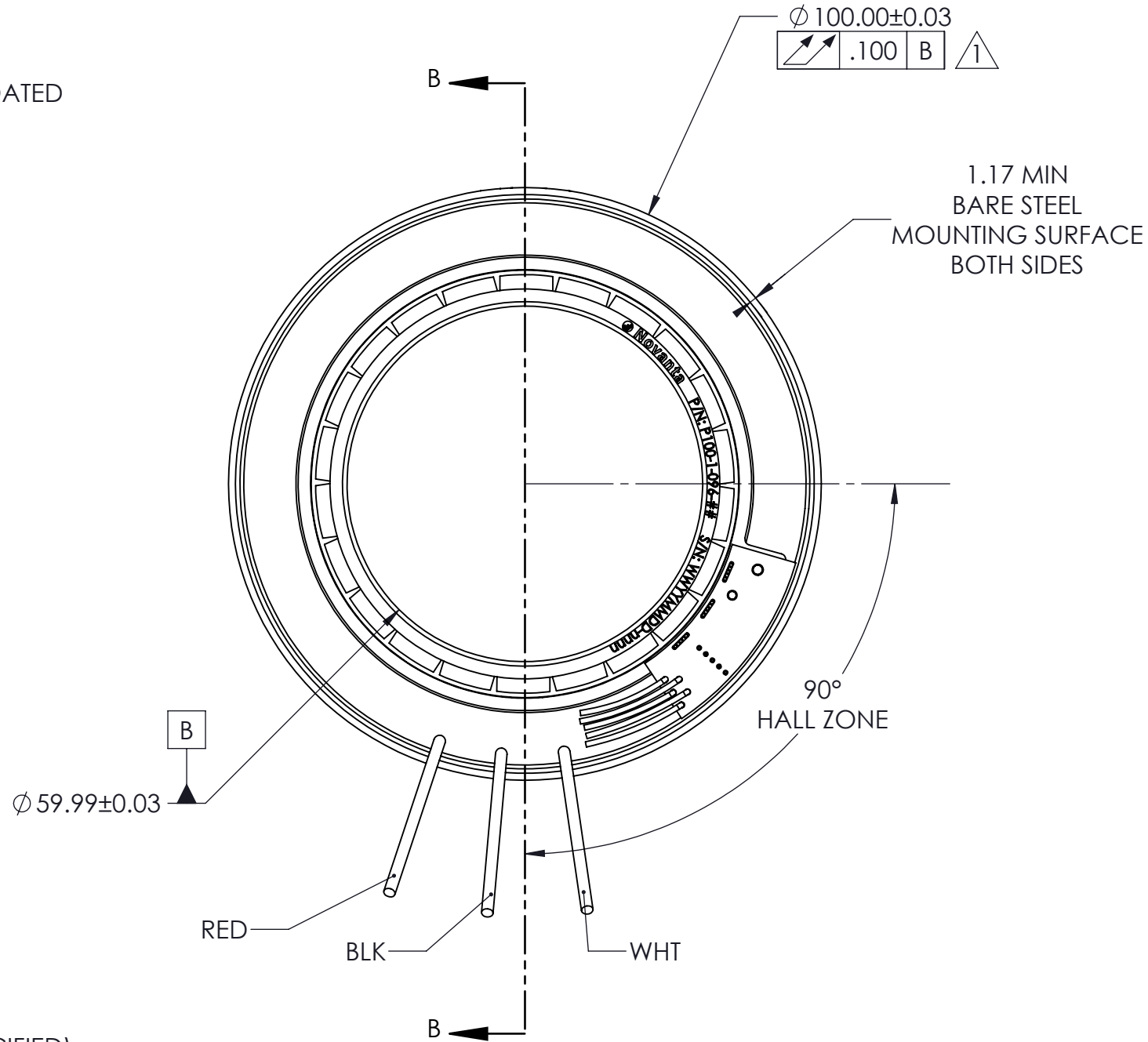
PRINTED COPIES OF THIS DOCUMENT ARE NOT CONTROLLED

POWER LEADS:
 16 AWG, M22759/11 TEFLON COATED
 762 mm MIN LENGTH

BLK - PHASE A
 RED - PHASE B
 WHT - PHASE C


HALL LEADS:
 28 AWG, M22759/11 TEFLON COATED
 762 mm MIN LENGTH

RED - POWER (3-27 VDC)
 BLK - GROUND
 BRN - HALL 1
 ORG - HALL 2
 YEL - HALL 3



NOTES: (UNLESS OTHERWISE SPECIFIED)

1. SPECIFIED DIMENSIONS ARE REQUIRED TO ACHIEVE MOTOR PERFORMANCE ILLUSTRATED IN P100-1-052-01.
2. SHALL BE ROHS AND REACH COMPLIANT TO LATEST VERSION OF REGULATORY SPECIFICATION.
3. MATERIAL AND SURFACE TREATMENT CERTIFICATIONS SHALL BE PROVIDED WITH EACH LOT.
4. ESD SENSITIVE DEVICE, HANDLE ACCORDINGLY

CONFIDENTIAL <small>THIS DRAWING CONTAINS PROPRIETARY INFORMATION OF CELERA MOTION AND MAY NOT BE IN WHOLE OR IN PART, DUPLICATED OR DISCLOSED OR USED FOR MANUFACTURE OF ANY PART. DISCLOSED HEREIN WITHOUT THE PRIOR WRITTEN PERMISSION OF CELERA MOTION.</small>	 Celera A Novanta Company <small>MOTION</small>	
	DRAWING NUMBER: P100-1-051-01	REV: 1
SCALE: 1:1 <small>DO NOT SCALE DRAWING</small>	SIZE: B SHEET 2 of 2	

PRINTED COPIES OF THIS DOCUMENT ARE NOT CONTROLLED