

MODEL# :1487-1-000-01

MOTOR SPECS WHEN USED WITH MAGNET TRACK
ASSY IAW 1487-1-096-XX (PITCH = 0.9)

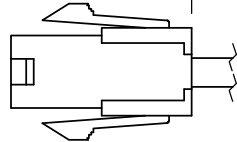
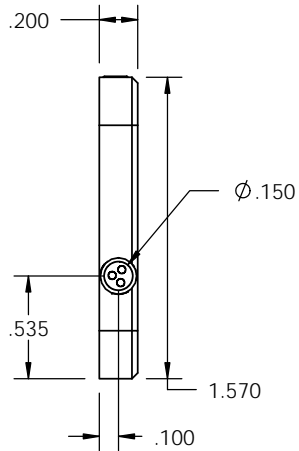
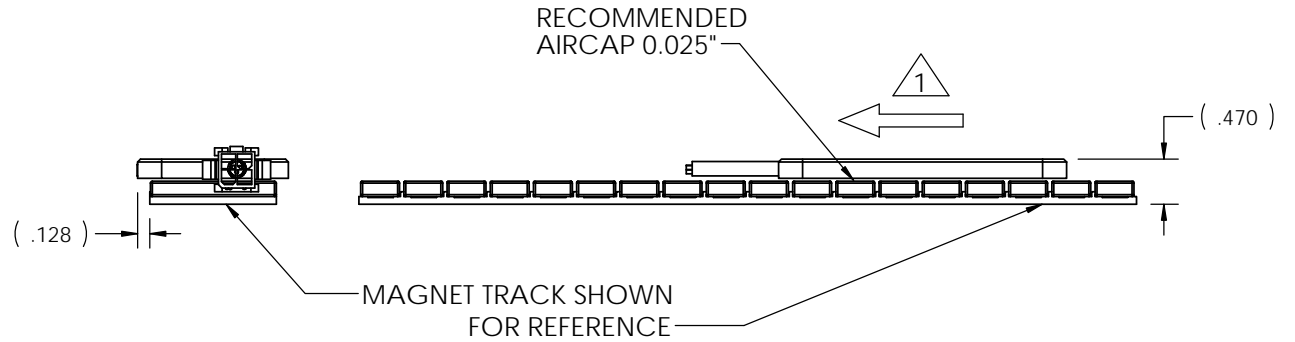
RESISTANCE: 8.0 OHMS (+/-10%)
FORCE CONSTANT: 19.8 OZ/AMP (+/- 10%)
INDUCTANCE: 1.4 mH (+/- 25%)

POWER LEADS: 22AWG TEFLON
P/N: 83334E-009
LEAD LENGTH: 1.0 METER MIN

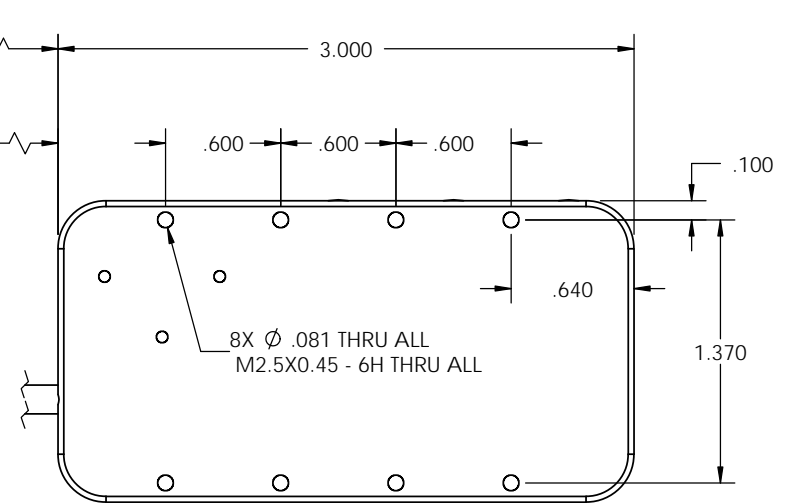
BLK - PHASE A
RED - PHASE B
WHT - PHASE C

CONNECTOR TABLE (MOLEX 39-01-2041)			
PIN	SIGNAL	COLOR	PIN (MOLEX)
1	PHASE B	RED	00-39-00-0049
2	PHASE C	WHITE	00-39-00-0049
3	GND/SHIELD	n/a	00-39-00-0049
4	PHASE A	BLACK	00-39-00-0049

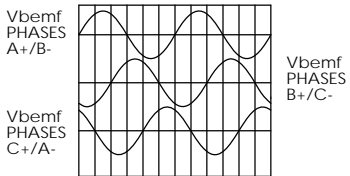
REV.	DCN:	DESCRIPTION OF CHANGE:	DATE:	SIGN
B	0039105	ADDED LABEL, REVISED CRIMP	07-JUN-13	GSM
C	004056	REVISED LABEL LOCATION	23-JUL-13	GSM
D	004109	REVISED LABEL LOCATION	2013-AUG-07	GSM



Applimotion, Inc



1
PHASE RELATION OF BACK EMF
PHASE-TO-PHASE VOLTAGES WHILE
TRANSLATING FORCER IN
INDICATED DIRECTION

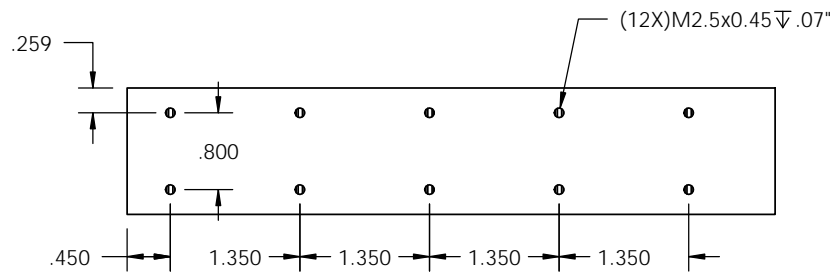
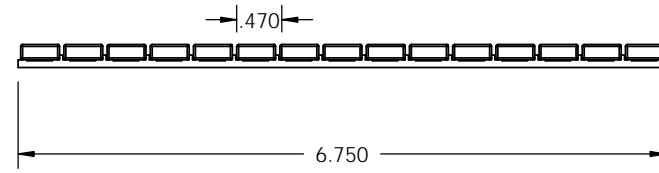
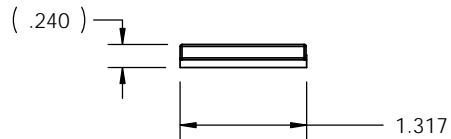
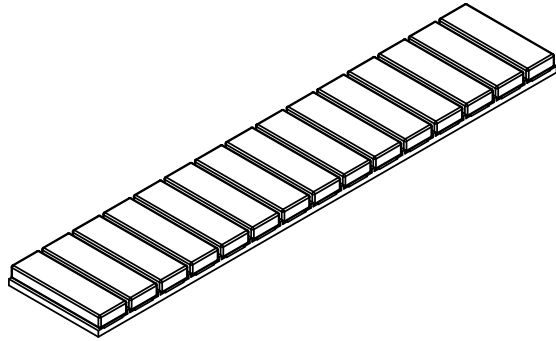


THIS DRAWING CONTAINS PROPRIETARY INFORMATION OF APPLIMOTION AND MAY NOT BE IN WHOLE OR IN PART, DUPLICATED OR DISCLOSED OR USED FOR MANUFACTURE OF ANY PART DISCLOSED HEREIN WITHOUT THE PRIOR WRITTEN PERMISSION OF APPLIMOTION				APPLIMOTION, INC.		CAGE CODE: 3DRL5	DRAWING SYMBOLS & TOLERANCE PER ANSI Y14.5-2009
DWG NO: 1487-1-095-01		PROJECT: 1487		THIRD ANGLE PROJECTION:		UNLESS OTHERWISE SPECIFIED ALL DIMENSIONS ARE IN INCHES TOLERANCES ARE:	
TITLE: FORCER INTERFACE DWG				SHEET 1 of 1		DECIMALS LINEAR ANGULAR	
DRAWN BY: GSM	CHECKED BY: DML	COG ENGINEER: DML	SCALE: NTS	UNITS: INCH		.X ±0.020 ±1° .XX ±0.010 ±0.2° .XXX ±0.005 ±0.01°	
4/24/2012				4/24/2012		4/24/2012	

CONFIDENTIAL

PRINTED COPIES OF THIS DOCUMENT ARE NOT CONTROLLED

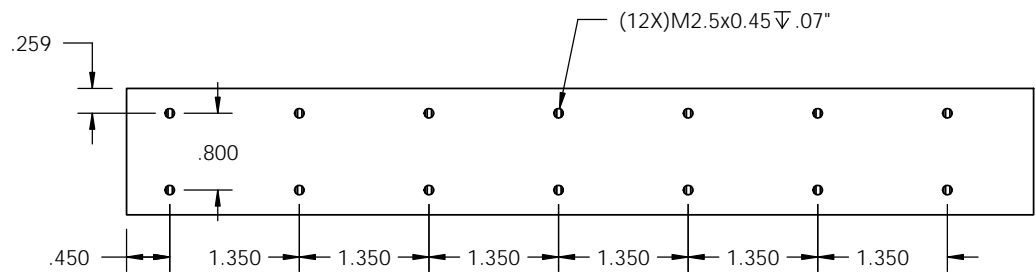
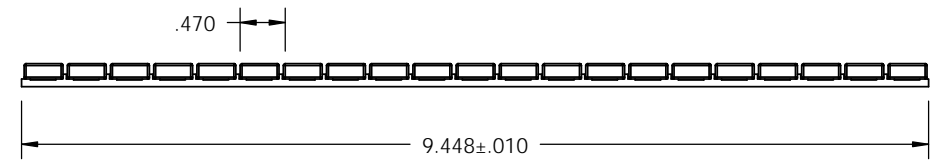
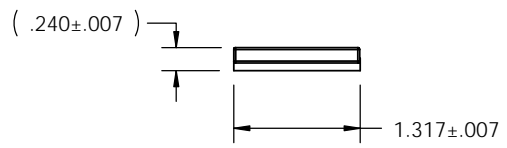
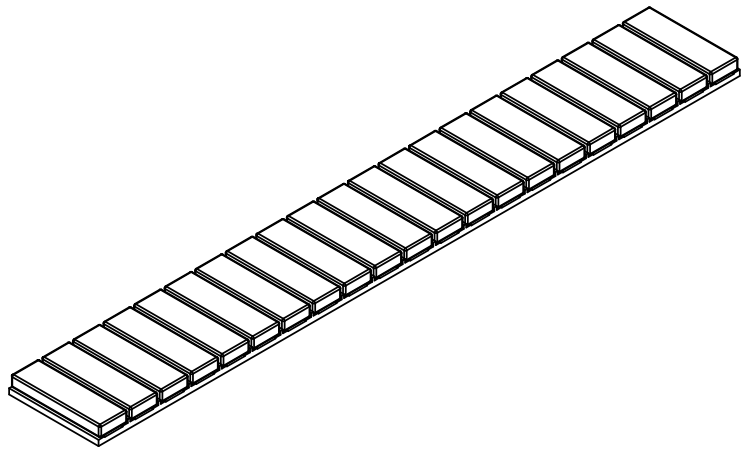
REV.	DCN:	DESCRIPTION OF CHANGE:	DATE:	SIGN
A	003058	INITIAL RELEASE	29-MAR-12	DML
B	003977	REMOVED MAX FROM DIM @C3	2013-JUNE-13	GSM



THIS DRAWING CONTAINS PROPRIETARY INFORMATION OF APPLIMOTION AND MAY NOT BE IN WHOLE OR IN PART, DUPLICATED OR DISCLOSED OR USED FOR MANUFACTURE OF ANY PART DISCLOSED HEREIN WITHOUT THE PRIOR WRITTEN PERMISSION OF APPLIMOTION CONFIDENTIAL	APPLIMOTION, INC.			CAGE CODE: 3DRL5	DRAWING SYMBOLS & TOLERANCE PER ANSI Y14.5-2009 UNLESS OTHERWISE SPECIFIED ALL DIMENSIONS ARE IN INCHES TOLERANCES ARE: DECIMALS LINEAR ANGULAR .X ±0.020 ±1° .XX ±0.010 ±0.2° .XXX ±0.005 ±0.01°	
	DWG NO: 1487-1-096-01		PROJECT: 1487			THIRD ANGLE PROJECTION:
	TITLE: MAGNET TRACK INTERFACE			SHEET 1 of 1		
	DRAWN BY: DML 3/29/2012	CHECKED BY: JPC 3/29/2012	COG ENGINEER: DML 3/29/2012	SCALE: NTS		SURFACE FINISH: N/A

PRINTED COPIES OF THIS DOCUMENT ARE NOT CONTROLLED

REV.	DCN:	DESCRIPTION OF CHANGE:	DATE:	SIGN
A	004729	INITIAL RELEASE	2014-JULY-08	DML



THIS DRAWING CONTAINS PROPRIETARY INFORMATION OF APPLIMOTION AND MAY NOT BE IN WHOLE OR IN PART, DUPLICATED OR DISCLOSED OR USED FOR MANUFACTURE OF ANY PART DISCLOSED HEREIN WITHOUT THE PRIOR WRITTEN PERMISSION OF APPLIMOTION CONFIDENTIAL	APPLIMOTION, INC.			CAGE CODE: 3DRL5	DRAWING SYMBOLS & TOLERANCE PER ANSI Y14.5-2009 UNLESS OTHERWISE SPECIFIED ALL DIMENSIONS ARE IN INCHES TOLERANCES ARE: DECIMALS LINEAR ANGULAR .X ±0.020 ±1° .XX ±0.010 ±0.2° .XXX ±0.005 ±0.01°		
	DWG NO: 1487-1-096-02		PROJECT: 1487			THIRD ANGLE PROJECTION:	
	TITLE: MAGNET TRACK INTERFACE			SHEET 1 of 1			
	DRAWN BY: DML 7/2/14	CHECKED BY: JPC 7/2/14	COG ENGINEER: DML 7/2/14	SCALE: NTS UNITS: INCH			SURFACE FINISH: N/A

PRINTED COPIES OF THIS DOCUMENT ARE NOT CONTROLLED