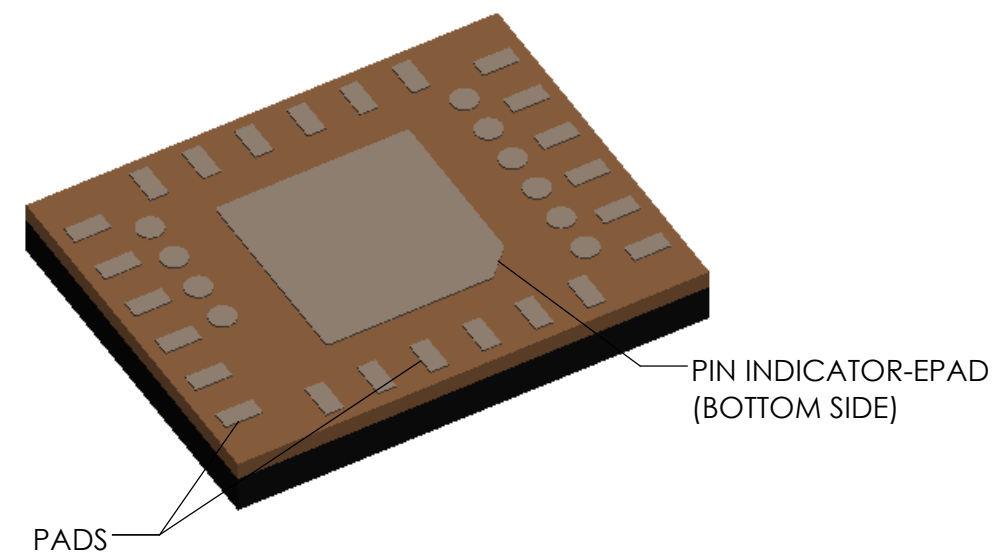
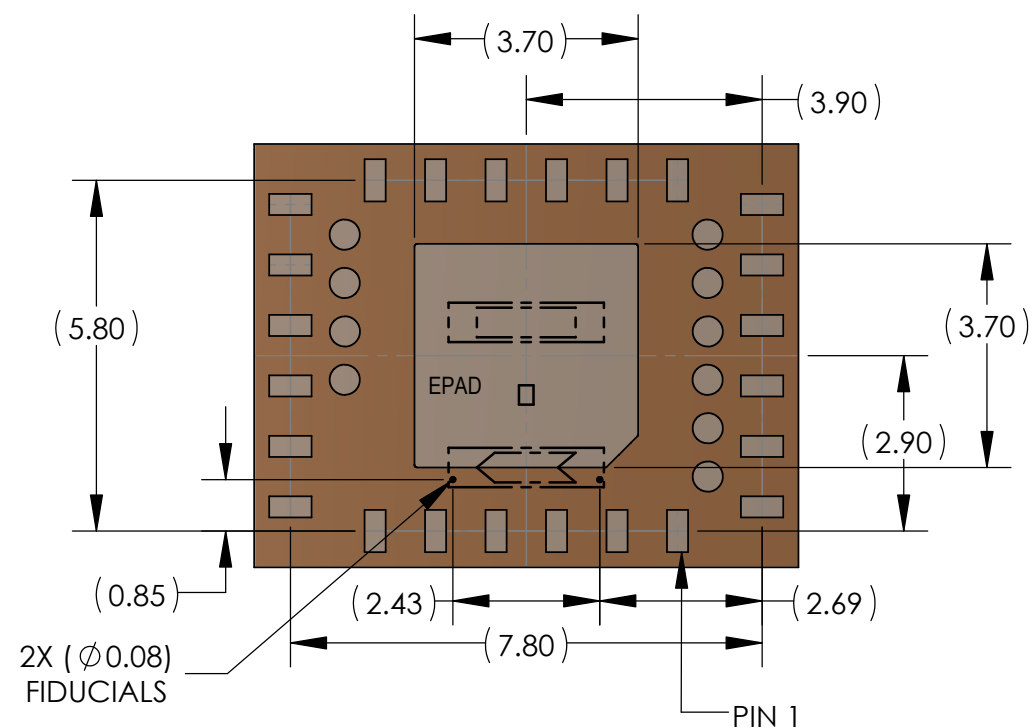
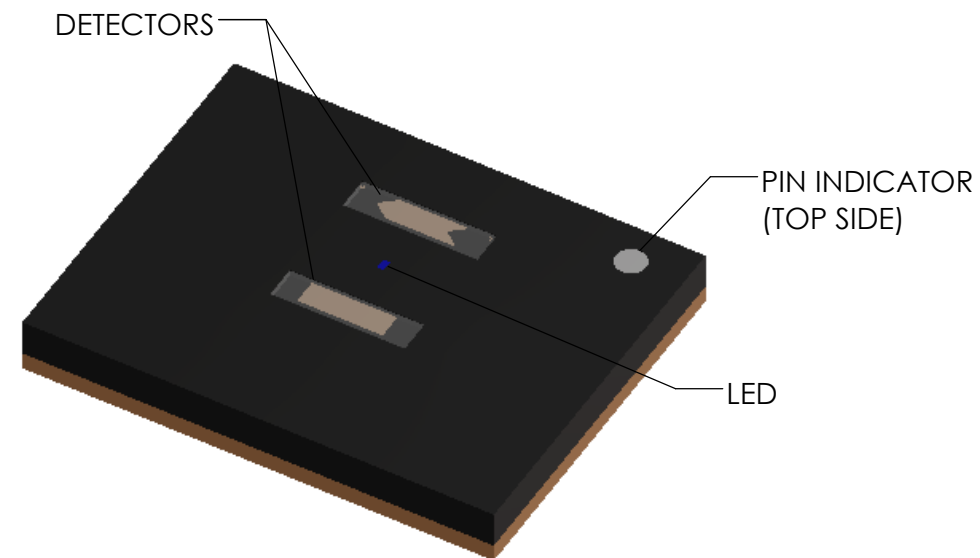
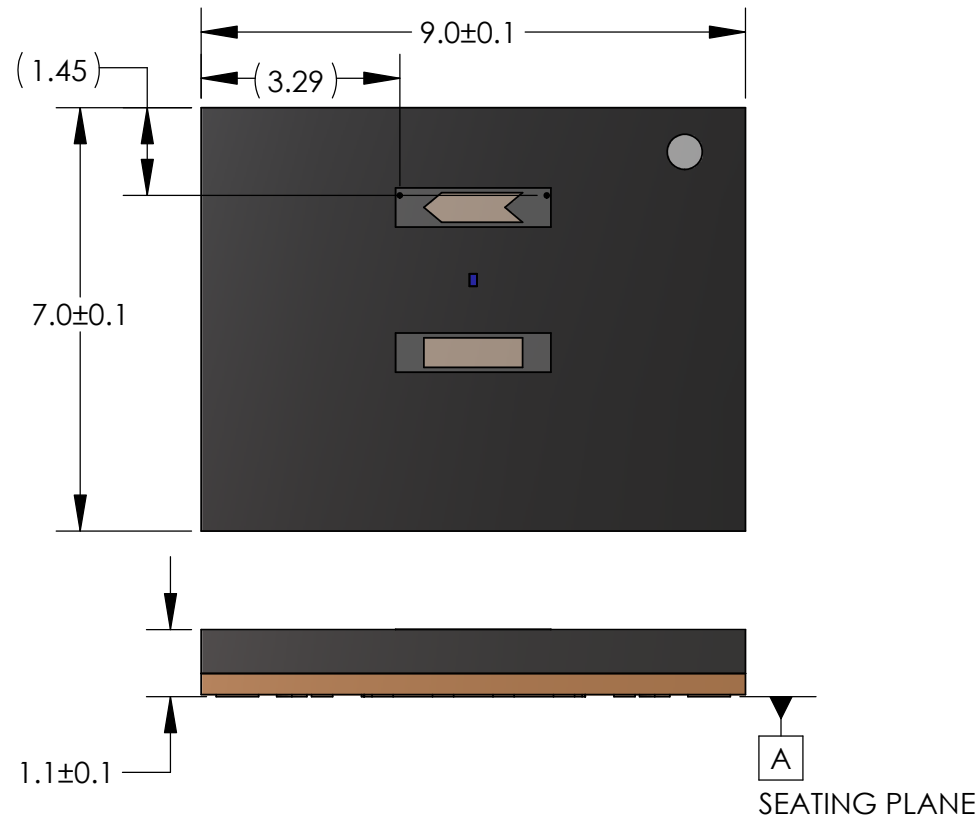


THESE DRAWINGS AND SPECIFICATIONS ARE THE PROPERTY OF Novanta Corporation AND SHALL NOT BE REPRODUCED OR COPIED OR USED AS THE BASIS FOR MANUFACTURE OR SALE OF APPARATUS WITHOUT EXPRESS WRITTEN AUTHORIZATION FROM Novanta Corporation.

LTR		ECO	REVISIONS	DATE	APPROVED
			DESCRIPTION		
1	---		INITIAL	1/20/21	SB

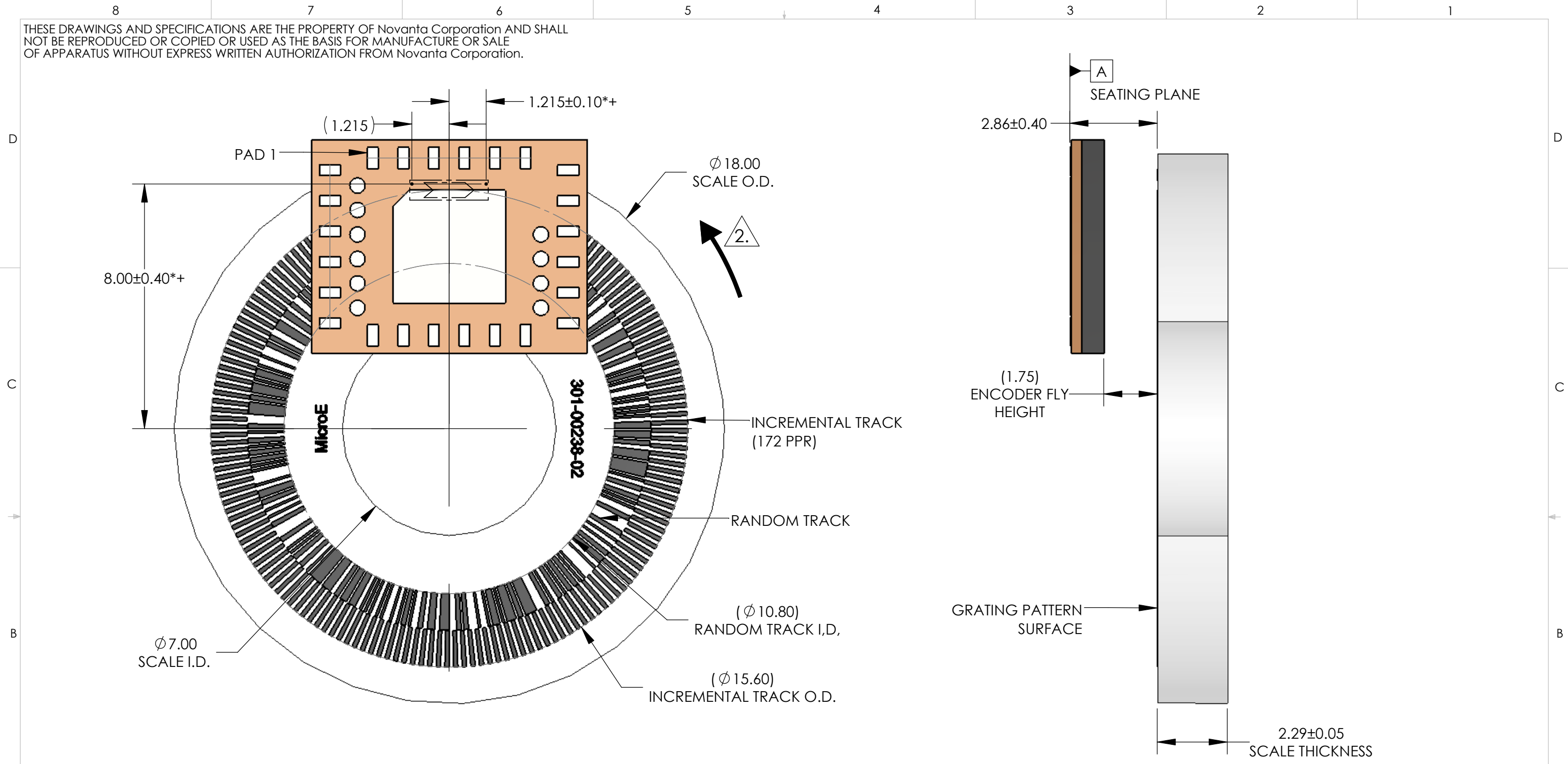


NOTES:

1. FOR PHYSICAL DIMENSIONS AND RECOMMENDED PCB-FOOTPRINT REFERENCE AURA SERIES DATASHEET.

<p>UNLESS OTHERWISE SPECIFIED ALL DIMENSIONS ARE IN MILLIMETERS. DIM APPLY AFTER PROCESSING INTERPRET ALL GEOMETRIC TOLS. PER ANSI Y14.5M-1994</p>	APPROVALS	DATE	<p>Celera MOTION (Novanta Corporation) 125 Middlesex Tpk. Bedford, MA 01730</p>
	DRAWN S.BUTURLIA	9/22/2020	
	CHECKED		
	ENGRG.		
	MFG ENG		
QA			<p>DESCRIPTION: INTERFACE DRAWING, AURA ENCODER, ROTARY GLASS SCALE (AUR-R-G-0002)</p>
SUBJECT TO CHANGE WITHOUT NOTICE		SIZE DWG. NO. B ID-00414	REV. 1
SCALE:	CAD FILE:	<p>3RD ANGLE PROJECTION SHEET 1 OF 2</p>	

THESE DRAWINGS AND SPECIFICATIONS ARE THE PROPERTY OF Novanta Corporation AND SHALL NOT BE REPRODUCED OR COPIED OR USED AS THE BASIS FOR MANUFACTURE OR SALE OF APPARATUS WITHOUT EXPRESS WRITTEN AUTHORIZATION FROM Novanta Corporation.



NOTES:

1. FOR AURA PACKAGE SPECIFICATION REFERENCE AURA SERIES DATASHEET.
2. WHEN THE SCALE MOVES IN A COUNTERCLOCKWISE DIRECTION THE ABSOLUTE VALUE AND INCREMENTAL COUNTS WILL INCREASE.

* THIS TOLERANCE ASSUMES A PERFECTLY CENTERED SCALE. ECCENTRICITY OF THE SCALE REDUCES THE ALIGNMENT TOLERANCE BY THE OFFSET BETWEEN THE CENTER OF THE SCALE PATTERN AND THE ROTATION CENTER.

+ TO ACHIEVE THIS TOLERANCE AURA CIRCULAR FIDUCIALS MUST BE USED TO PLACE AURA ON PCB.

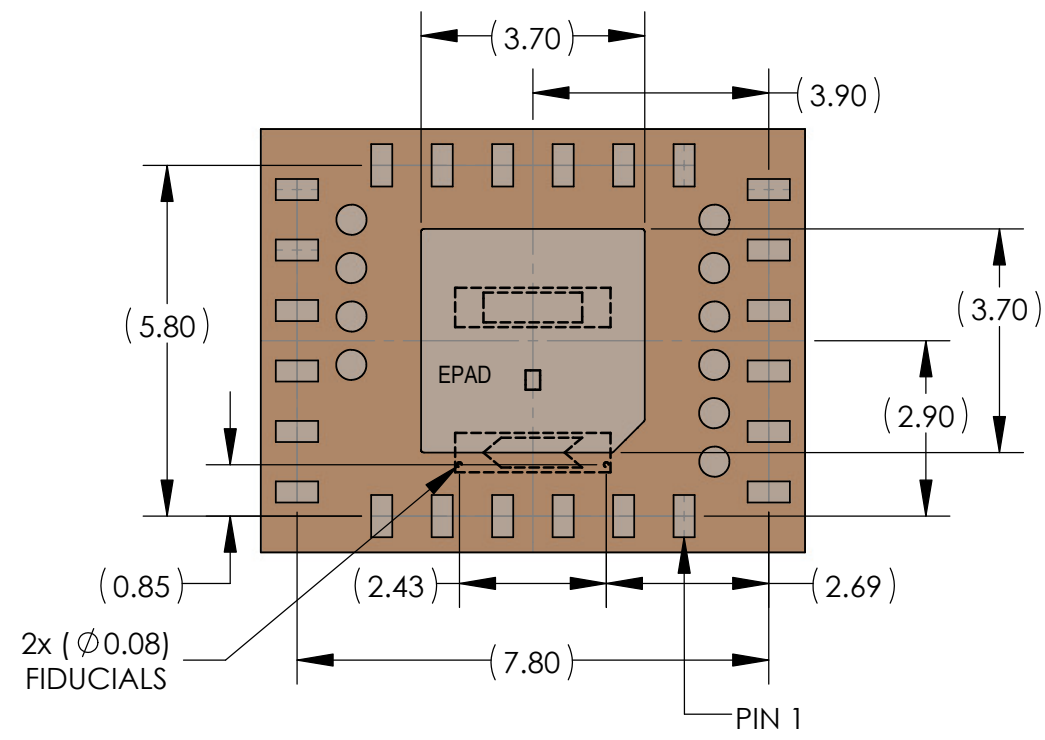
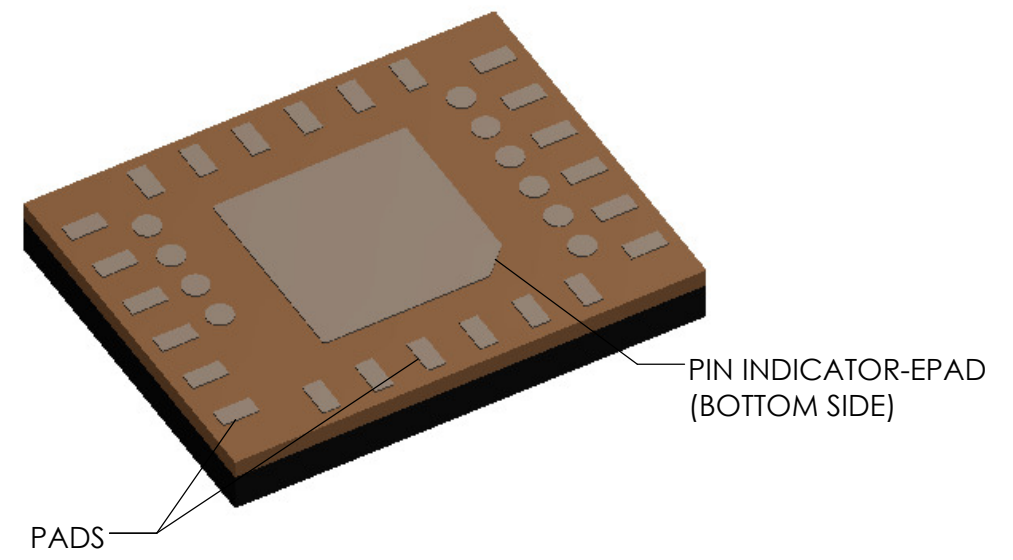
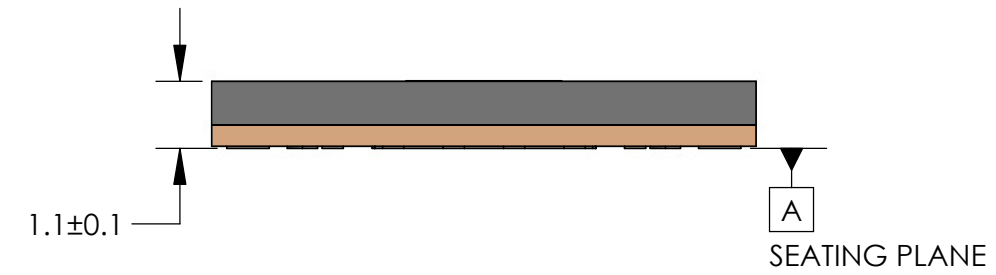
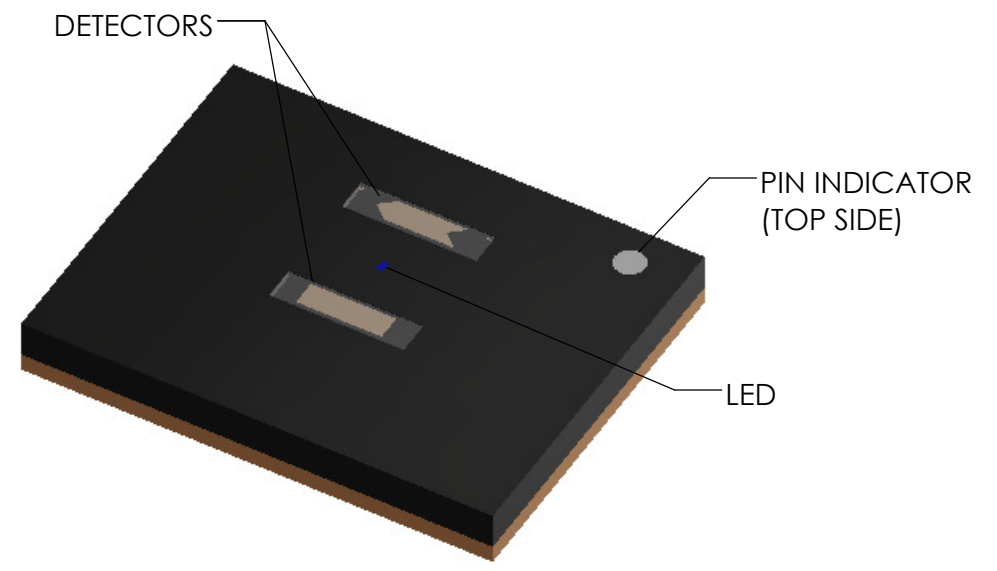
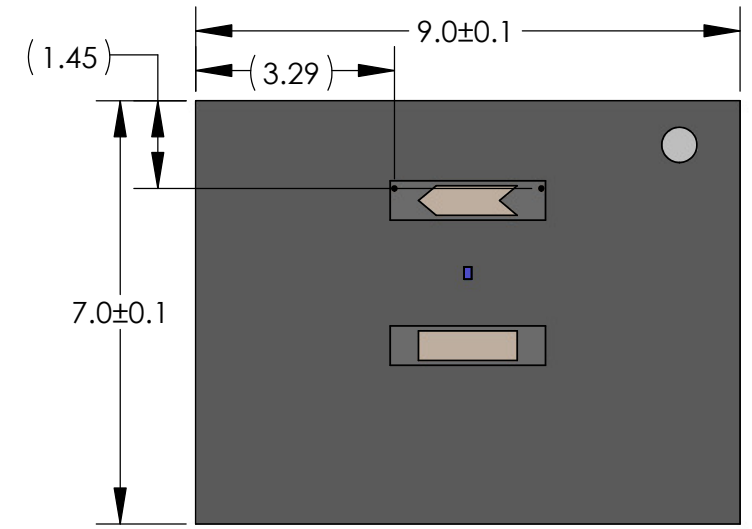
UNLESS OTHERWISE SPECIFIED
 ALL DIMENSIONS ARE IN MILLIMETERS.
 DIM APPLY AFTER PROCESSING
 INTERPRET ALL GEOMETRIC TOLS.
 PER ANSI Y14.5M-1994

TOLERANCES ARE:
 DECIMALS: X ±.25 ANGULAR: ±30 MIN.
 .XX ±.13

<p>Celera MOTION (Novanta Corporation) 125 Middlesex Tpk. Bedford, MA 01730</p>		DESCRIPTION:
		<p>INTERFACE DRAWING, AURA ENCODER, ROTARY GLASS SCALE (AUR-R-G-0002)</p>
SIZE	DWG. NO.	REV.
B	ID-00414	1
SCALE:	CAD FILE:	3RD ANGLE PROJECTION SHEET 2 OF 2

THESE DRAWINGS AND SPECIFICATIONS ARE THE PROPERTY OF Novanta Corporation AND SHALL NOT BE REPRODUCED OR COPIED OR USED AS THE BASIS FOR MANUFACTURE OR SALE OF APPARATUS WITHOUT EXPRESS WRITTEN AUTHORIZATION FROM Novanta Corporation.

LTR		ECO	REVISIONS		DATE	APPROVED
			DESCRIPTION			
1	---		INITIAL		1/20/21	SB

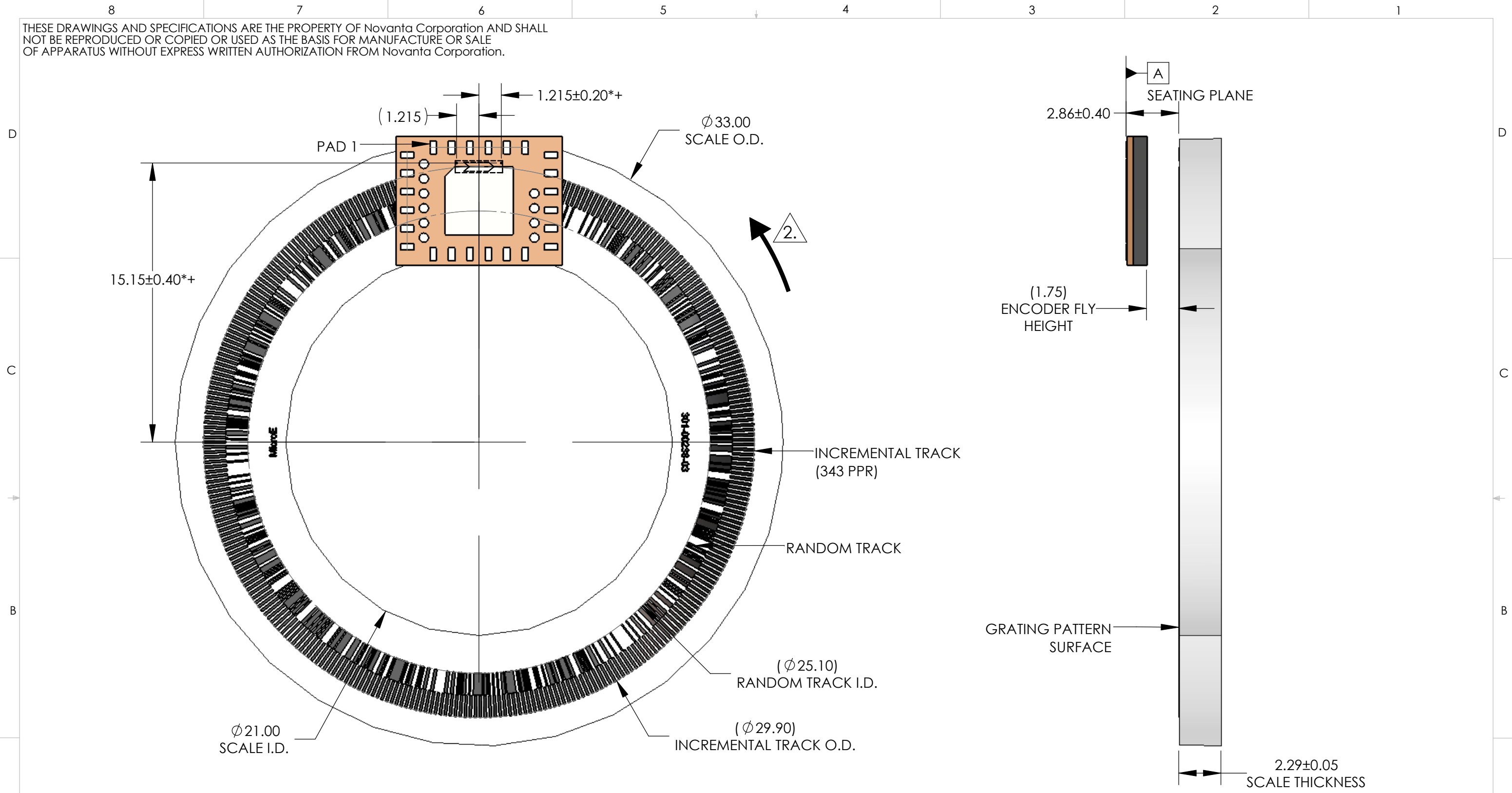


NOTES:

1. FOR PHYSICAL DIMENSIONS AND RECOMMENDED PCB-FOOTPRINT REFERENCE AURA SERIES DATASHEET.

<p>UNLESS OTHERWISE SPECIFIED ALL DIMENSIONS ARE IN MILLIMETERS. DIM APPLY AFTER PROCESSING INTERPRET ALL GEOMETRIC TOLS. PER ANSI Y14.5M-1994</p>	APPROVALS	DATE	<p>Celera MOTION (Novanta Corporation) 125 Middlesex Tpk. Bedford, MA 01730</p>
	DRAWN S.BUTURLIA	9/22/2020	
	CHECKED		
	ENGRG.		
MFG ENG			DESCRIPTION:
QA			INTERFACE DRAWING, AURA ENCODER, ROTARY GLASS SCALE (AUR-R-G-0003)
SUBJECT TO CHANGE WITHOUT NOTICE		SIZE DWG. NO.	REV.
		B ID-00415	1
SCALE:	CAD FILE:	3RD ANGLE PROJECTION SHEET 1 OF 2	

THESE DRAWINGS AND SPECIFICATIONS ARE THE PROPERTY OF Novanta Corporation AND SHALL NOT BE REPRODUCED OR COPIED OR USED AS THE BASIS FOR MANUFACTURE OR SALE OF APPARATUS WITHOUT EXPRESS WRITTEN AUTHORIZATION FROM Novanta Corporation.



NOTES:

- 1. FOR AURA PACKAGE SPECIFICATION REFERENCE AURA SERIES DATASHEET.
 - 2. WHEN THE SCALE MOVES IN A COUNTERCLOCKWISE DIRECTION THE ABSOLUTE VALUE AND INCREMENTAL COUNTS WILL INCREASE.
- * THIS TOLERANCE ASSUMES A PERFECTLY CENTERED SCALE. ECCENTRICITY OF THE SCALE REDUCES THE ALIGNMENT TOLERANCE BY THE OFFSET BETWEEN THE CENTER OF THE SCALE PATTERN AND THE ROTATION CENTER.
- + TO ACHIEVE THIS TOLERANCE AURA CIRCULAR FIDUCIALS MUST BE USED TO PLACE AURA ON PCB.

<p>UNLESS OTHERWISE SPECIFIED ALL DIMENSIONS ARE IN MILLIMETERS. DIM APPLY AFTER PROCESSING INTERPRET ALL GEOMETRIC TOLS. PER ANSI Y14.5M-1994</p>		<p>Celera MOTION (Novanta Corporation) 125 Middlesex Tpk. Bedford, MA 01730</p>	
<p>TOLERANCES ARE: DECIMALS: .X ±.25 .XX ±.13</p>		<p>ANGULAR: ±30 MIN.</p>	
<p>DESCRIPTION: INTERFACE DRAWING, AURA ENCODER, ROTARY GLASS SCALE (AUR-R-G-0003)</p>		<p>SIZE DWG. NO. B ID-00415</p>	<p>REV. 1</p>
SCALE:	CAD FILE:	<p>3RD ANGLE PROJECTION SHEET 2 OF 2</p>	