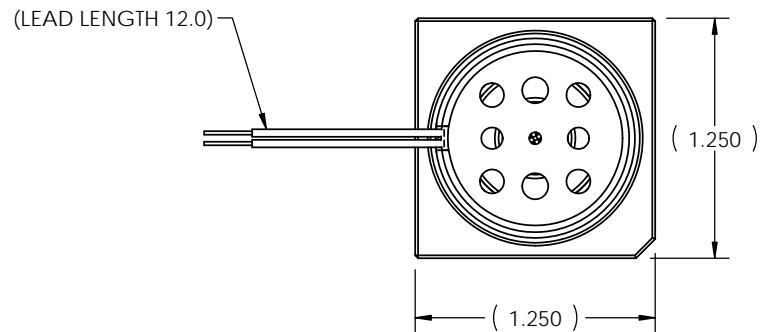


REV.	DCN:	DESCRIPTION OF CHANGE:	DATE:	SIGN
A	001894	INITIAL RELEASE	22-10-10	JPC
B	004480	UPDATING INDUCTANCE VALUE FROM TBD TO 0.90	2014-FEB-20	JPC

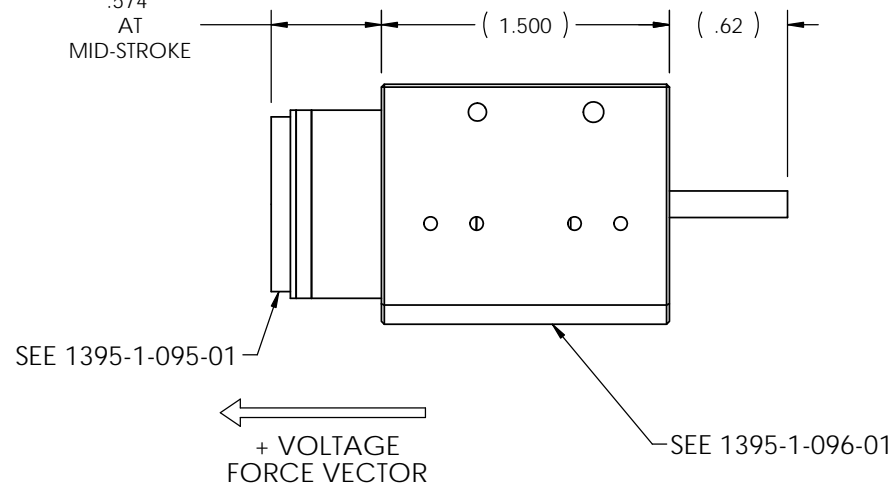
NOTES: (UNLESS OTHERWISE SPECIFIED)

COIL RESISTANCE: 4.5 OHMS (+/-10%) TBR
 FORCE CONSTANT: 1.6 LB/AMP PEAK (+/-10%) TBR
 INDUCTANCE: 0.90 mH (+/-25%)

POWER LEADS: TEFLON COATED 26AWG - HP3EXBDEx
 LEAD LENGTH 12.0+/-0.5
 RED - COIL +
 BLK - COIL -



TOTAL STROKE: +/-10mm
 .574
 AT
 MID-STROKE



THIS DRAWING CONTAINS PROPRIETARY INFORMATION OF APPLIMOTION AND MAY NOT BE IN WHOLE OR IN PART, DUPLICATED OR DISCLOSED OR USED FOR MANUFACTURE OF ANY PART DISCLOSED HEREIN WITHOUT THE PRIOR WRITTEN PERMISSION OF APPLIMOTION CONFIDENTIAL	APPLIMOTION, INC.			CAGE CODE: 3DRL5	DRAWING SYMBOLS & TOLERANCE PER ANSI Y14.5 UNLESS OTHERWISE SPECIFIED ALL DIMENSIONS ARE IN INCHES TOLERANCES ARE: DECIMALS LINEAR ANGULAR .X ±0.02 ±.5° .XX ±0.01 ±0.2° .XXX ±0.005 ±0.01°
	DWG NO: 1395-1-050-01		PROJECT: 1395		
	TITLE: ASSY, VOICE COIL			SHEET: 1 of 1	
	DRAWN BY: JPC 10/21/10	CHECKED BY: DML 10/21/10	COG ENGINEER: DML 10/21/10	SCALE: NTS UNITS: INCHES	
				SURFACE FINISH: N/A	

PRINTED COPIES OF THIS DOCUMENT ARE NOT CONTROLLED