

REV.	DCN:	DESCRIPTION OF CHANGE:	DATE:	SIGN
P1	004203	INITIAL RELEASE	2013-SEPT-20	GSM

APPLIMOTION PART NUMBER : 1554-1-000-01(FORCER & TRACK ASSY)

PERFORMANCE WHEN MATED WITH TRACK 1554-1-096-01
(AIR GAP : 0.030 in)

Res: 10.9 ($\pm 10\%$) OHM
 Ke: 389 ($\pm 10\%$) V/KRPM
 Kt(TRAP): 525 ($\pm 10\%$) oz-in/AMP DC
 L: 9.14 ($\pm 25\%$)mH

NUMBER OF MAGNET POLES: 48

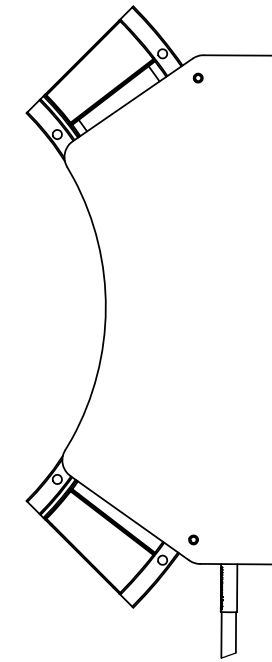
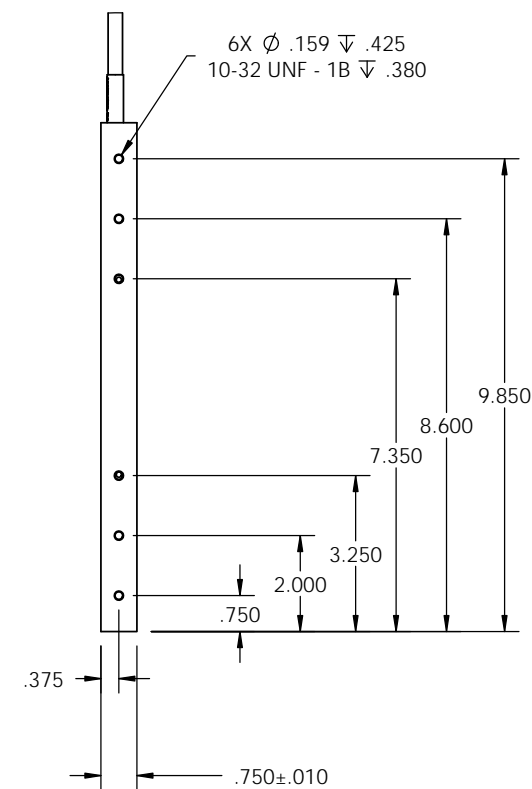
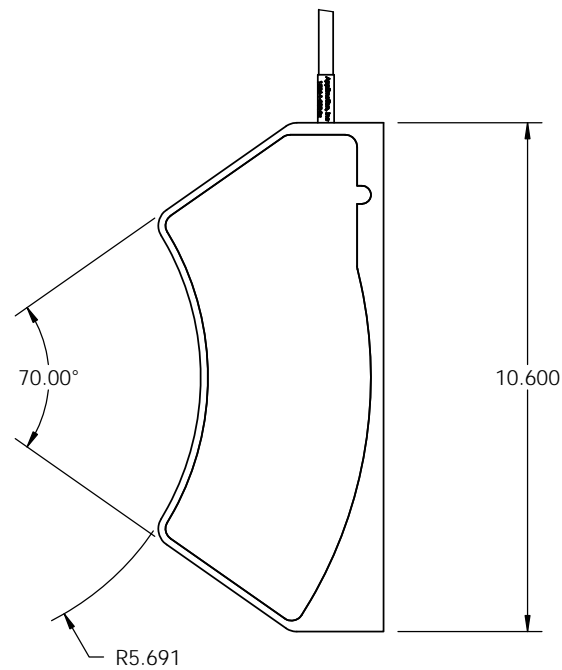
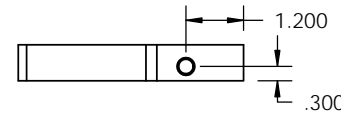
LEAD COLOR CODE

POWER LEADS

BELDEN 83334E MULTI-CONDUCTOR CABLE
 22 AWG, TEFLON COATED LEADS WITH BRAIDED SHIELD AND TEFLON JACKET

24" MIN LENGTH

BLK - PHASE A
 RED - PHASE B
 WHT - PHASE C



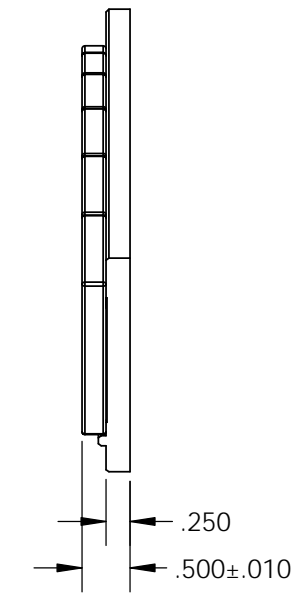
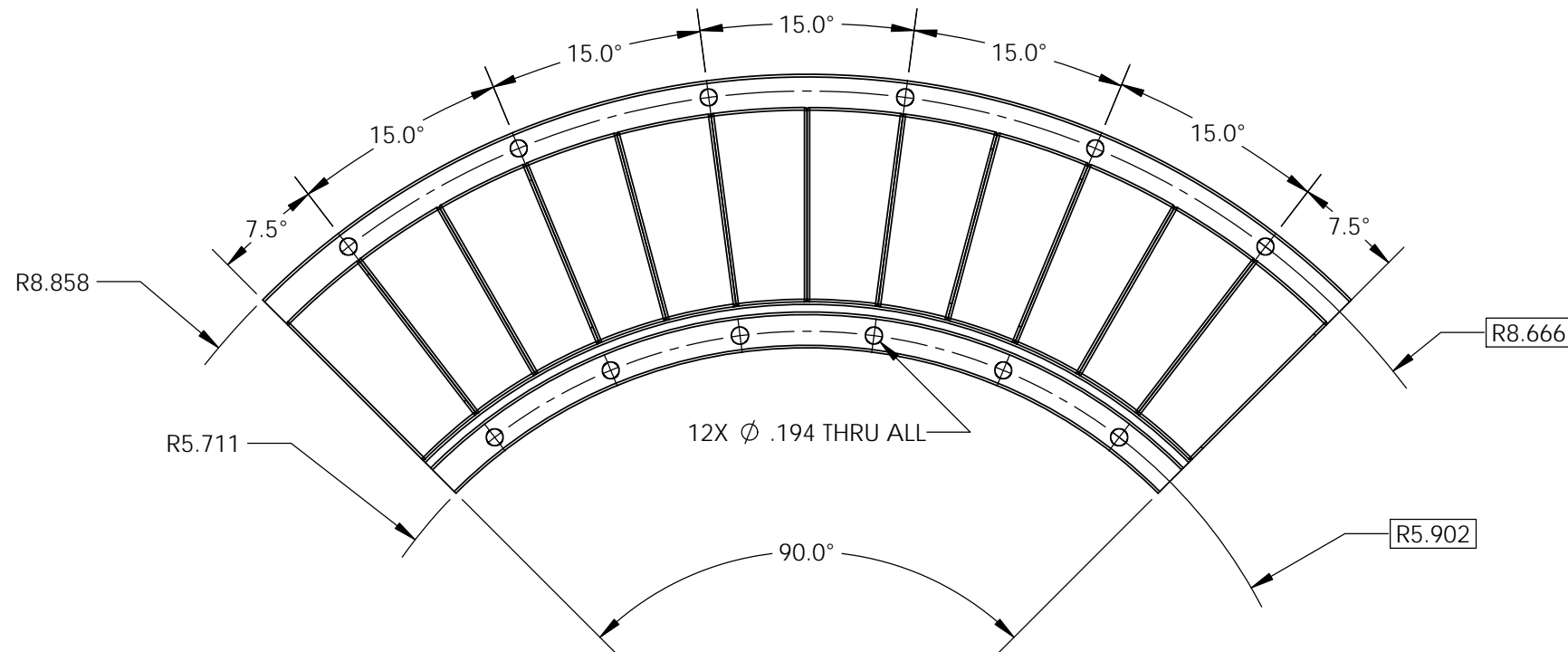
FORCER AND MAGNET TRACK PLACED CONCENTRICALLY WITH AXIAL AIRGAP OF .030 BETWEEN MAGNET TOP SURFACE AND FORCER BOTTOM SURFACE.

THIS DRAWING CONTAINS PROPRIETARY INFORMATION OF APPLIMOTION, INC. AND MAY NOT BE IN WHOLE OR IN PART, DUPLICATED OR DISCLOSED OR USED FOR MANUFACTURE OF ANY PART DISCLOSED HEREIN WITHOUT THE PRIOR WRITTEN PERMISSION OF APPLIMOTION INC.		APPLIMOTION, INC.		CAGE CODE: 3DRL5	DRAWING SYMBOLS & TOLERANCE PER ANSI Y14.5
DWG. NO.: 1554-1-095-01	PROJECT: 1554	TITLE: FORCER INTERFACE DWG		THIRD ANGLE PROJECTION:	UNLESS OTHERWISE SPECIFIED ALL DIMENSIONS ARE IN INCHES TOLERANCES ARE:
DRAWN BY: GSM	CHECKED BY: DML	COG ENGINEER: DML	SCALE: N1S	SURFACE FINISH: SEE NOTES	DECIMALS LINEAR ANGULAR X ±0.020 ±1° XX ±0.010 ±0.2° XXX ±0.005 ±0.01°
9/19/2013	9/19/2013	9/19/2013	UNITS: INCH	SHEET: 1 of 1	

CONFIDENTIAL

PRINTED COPIES OF THIS DOCUMENT ARE NOT CONTROLLED

REV.	DCN:	DESCRIPTION OF CHANGE:	DATE:	SIGN
P1	004203	INITIAL RELEASE	2013-SEPT-20	GSM



THIS DRAWING CONTAINS PROPRIETARY INFORMATION OF APPLIMOTION, INC. AND MAY NOT BE IN WHOLE OR IN PART, DUPLICATED OR DISCLOSED OR USED FOR MANUFACTURE OF ANY PART DISCLOSED HEREIN WITHOUT THE PRIOR WRITTEN PERMISSION OF APPLIMOTION INC.		APPLIMOTION, INC.		CAGE CODE: 3DRL5	DRAWING SYMBOLS & TOLERANCE PER ANSI Y14.5
DWG. NO. 1554-1-096-01	PROJECT: 1554	TITLE: MAGNET TRACK INTERFACE		THIRD ANGLE PROJECTION:	UNLESS OTHERWISE SPECIFIED ALL DIMENSIONS ARE IN INCHES TOLERANCES ARE:
DRAWN BY: GSM	CHECKED BY: DML	COG ENGINEER: DML	SCALE: N1S	SHEET: 1 of 1	DECIMALS LINEAR ANGULAR X ±0.020 ±1° XX ±0.010 ±0.2° XXX ±0.005 ±0.01°
UNITS: INCH			SURFACE FINISH: SEE NOTES		

CONFIDENTIAL

PRINTED COPIES OF THIS DOCUMENT ARE NOT CONTROLLED