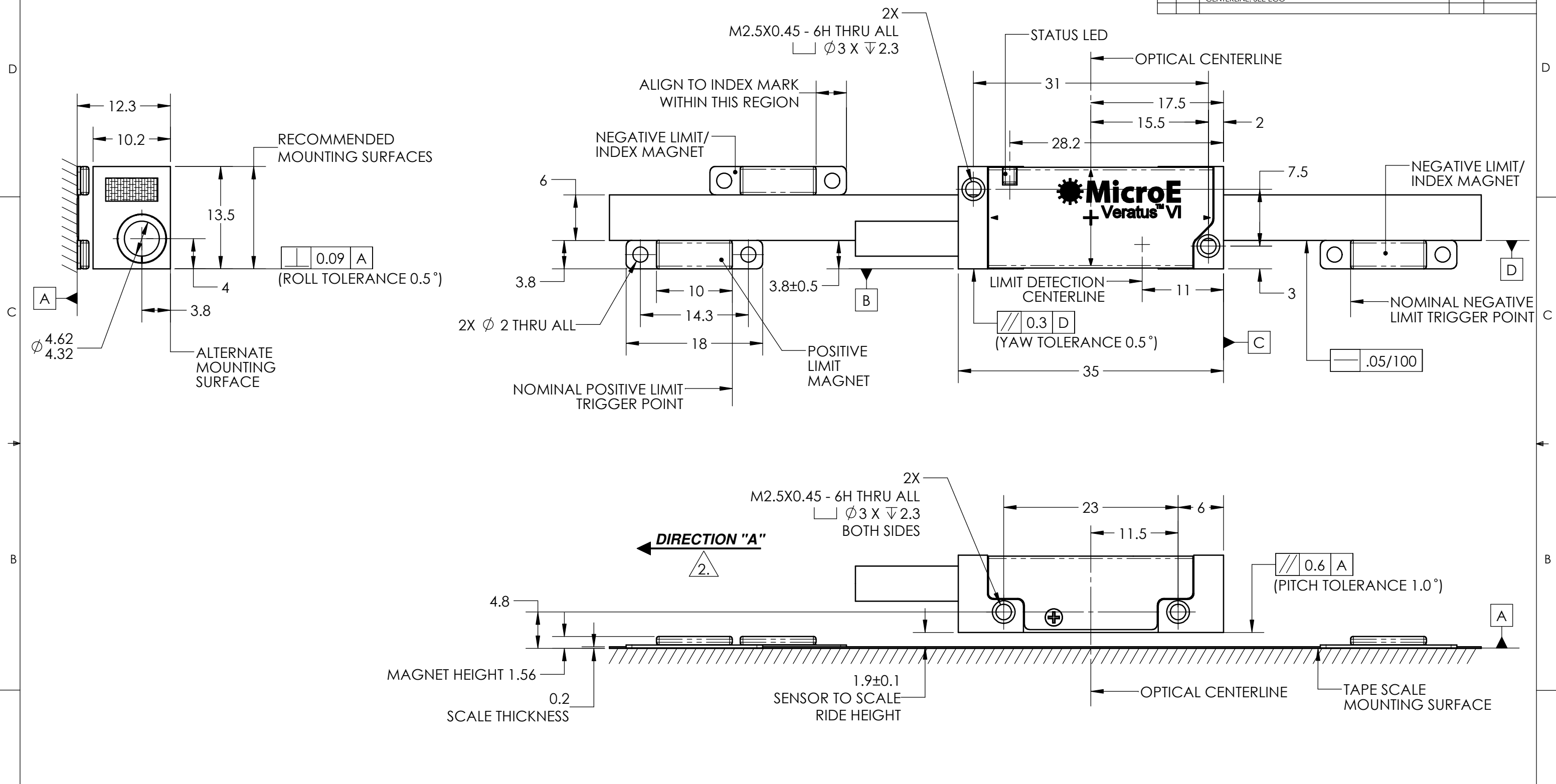


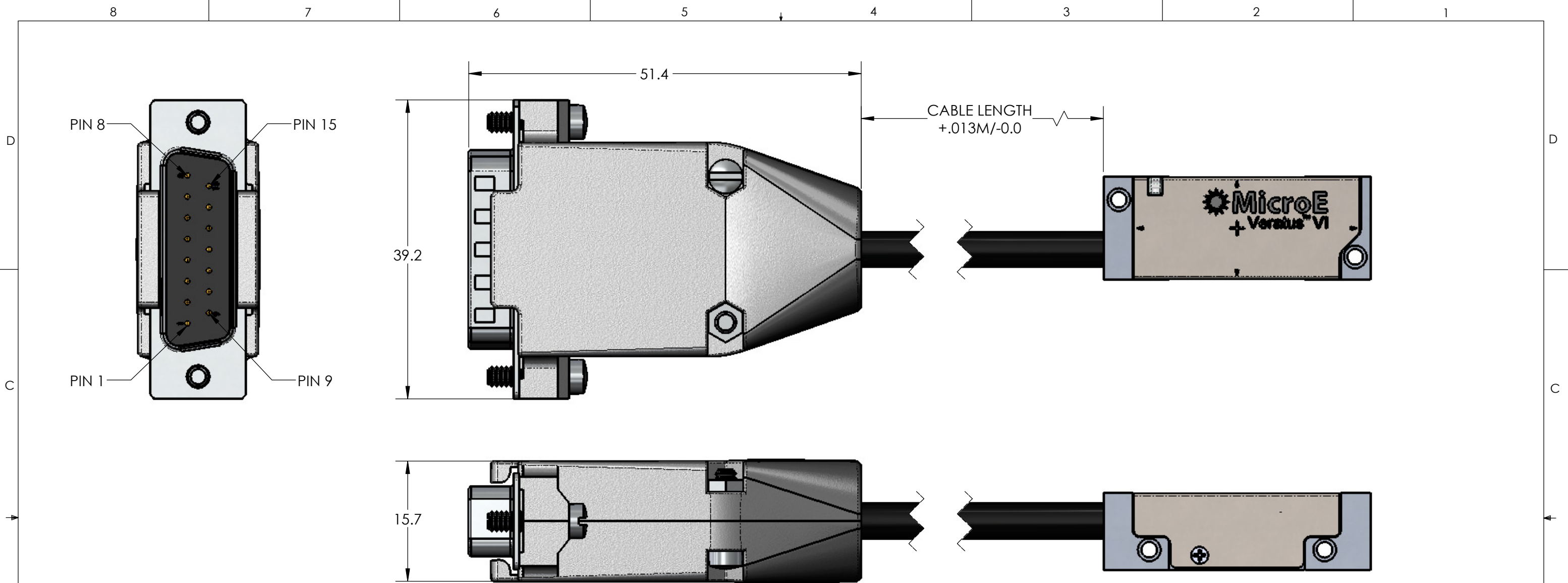
THESE DRAWINGS AND SPECIFICATIONS ARE THE PROPERTY OF GSI Group Corporation AND SHALL NOT BE REPRODUCED OR COPIED OR USED AS THE BASIS FOR MANUFACTURE OR SALE OF APPARATUS WITHOUT EXPRESS WRITTEN AUTHORIZATION FROM GSI Group Corporation.

REVISION HISTORY				
REV.	ECO	DESCRIPTION	DATE	APPROVED
1	---	INITIAL	7/30/15	PD
2	2850	REVISED MAGNET DIMS/NOTES. ADDED LIMIT DETECTION CENTERLINE. SEE ECO	8/18/15	PB



- NOTES:**
- FOR TAPE SCALE INSTALLATION INSTRUCTIONS SEE INSTALLATION MANUAL.
 - DIRECTION "A": DIRECTION OF POSITIVE ENCODER HEAD MOTION.
DIGITAL: COUNT UP
ANALOG: COSINE LEADS SINE

<p>UNLESS OTHERWISE SPECIFIED ALL DIMENSIONS ARE IN MILLIMETERS. DIM APPLY AFTER PROCESSING INTERPRET ALL GEOMETRIC TOLS. PER ANSI Y14.5M-1982</p> <p>TOLERANCES ARE: DECIMALS: .X ±.25 .XX ±.13</p> <p>ANGULAR: ±30 MIN.</p>	APPROVALS	DATE	<p>MicroE (GSI Group Corporation) 125 Middlesex Tpk. Bedford, MA 01730</p> <p>DESCRIPTION: INTERFACE, VERATUS SERIES ENCODERS, 20um TAPE SCALE AND LIMIT / INDEX MAGNETS</p>
	DRAWN P DEVINE CHECKED	6/10/15	
	ENGRG. A GOLDMAN MFG ENG	7/30/15	
	QA		
SUBJECT TO CHANGE WITHOUT NOTIFICATION			<p>SIZE DWG. NO. ID-00401</p> <p>SCALE: CAD FILE: SHEET 1 OF 2</p>



VERATUS ANALOG PINOUTS 15 PIN D-SUB CONNECTOR		
Pin	Function	Wire color
1	COS-	ORANGE-WHT
2	SIN-	YELLOW-WHT
3	I+	VIOLET
4	5V	RED
5	5V_SENSE	BROWN
6	ALARM	BLACK
7	POS LIMIT	GREEN
8	NEG LIMIT	GREEN-WHT
9	COS+	ORANGE
10	SIN+	YELLOW
11	I-	VIOLET-WHT
12	COM	RED-WHT
13	COM_SENSE	BROWN-WHT
14	N/C	BLUE
15	N/C	BLUE-WHT

VERATUS DIGITAL PINOUTS 15 PIN D-SUB CONNECTOR		
Pin	Function	Wire color
1	N/C	BLUE
2	COM	RED-WHT
3	ALARM	BLACK
4	I-	VIOLET-WHT
5	B-	ORANGE-WHT
6	A-	YELLOW-WHT
7	5V	RED
8	5V_SENSE	BROWN
9	COM_SENSE	BROWN-WHT
10	NEG LIMIT	GREEN-WHT
11	POS LIMIT	GREEN
12	I+	VIOLET
13	B+	ORANGE
14	A+	YELLOW
15	N/C	BLUE-WHT

MicroE
 (GSI Group Corporation)
 125 Middlesex Tpk.
 Bedford, MA 01730

DESCRIPTION:
 INTERFACE, VERATUS SERIES ENCODERS,
 20um TAPE SCALE AND LIMIT / INDEX
 MAGNETS

SIZE	DWG. NO.	REV.
B	ID-00401	2

SCALE: CAD FILE: 3RD ANGLE PROJECTION SHEET 2 OF 2